

The logo for Cainton, featuring the word "CAINTON" in a bold, white, sans-serif font. The letter "O" is replaced by a stylized gear icon with a central hub and spokes. The logo is set against a solid blue rectangular background.

CAINTON

Change is a perpetual motion

Ultra-High-Speed Fan & Blower

- Code Rule - p.1
- Ultra-High-Speed Fan & Blower - pp. 2 - 55

Code Rule

Fan Type	Fan imension (mm)		Voltage	Speed	Bearing	Connection	Function	Mold Model	IP Level
	Length	Thickness							
AXD: DC Axial Fan	Length	Thickness	V12: 12VDC	HX: Higher than Extreme	B: Ball Type	C: Connector	N1: FG	-Mold Model	-IP Level
U: Ultra-High-Speed Fan & Blower	Length	Thickness	V24: 24VDC	XH: Extremely High	S: Sleeve Type		N2: RD		
			V48: 48VDC	HH: Much Higher			N3: PWM		
			FV: Full Voltage	HR: Higher			N4: Voltage Control		
				H: High			N5: FG+PWM		
				M: Medium			N6: RD+PWM		
				L: Low			N7: FG+VC		
				LR: Lower			N8: RD+VC		
				LW: Much Lower					
				XL: Extremely Low					
	LX: Lower than Extreme								

DC Axial Fan

30x30x10mm - E Type

- Housing: Aluminum
- Impeller: Thermoplastic PBT (UL94V-0)
- Bearing: Ball Type
- Certification: CE, RoHS
- Additional functions are optional



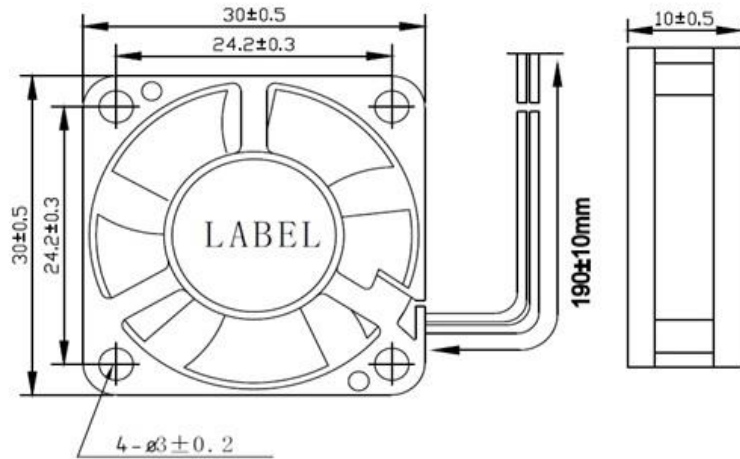
Model	Voltage	Current	Power	Speed	Air Flow		Pressure		Noise
	VDC	Amp	Watt	RPM	CFM	m3/min	mmH2O	inH2O	dB(A)
AXD3010V8H-K5	8.4	0.7	5.88	26000	8.96	0.254	32.5	1.28	51

DC Axial Fan

30x30x10mm - E Type

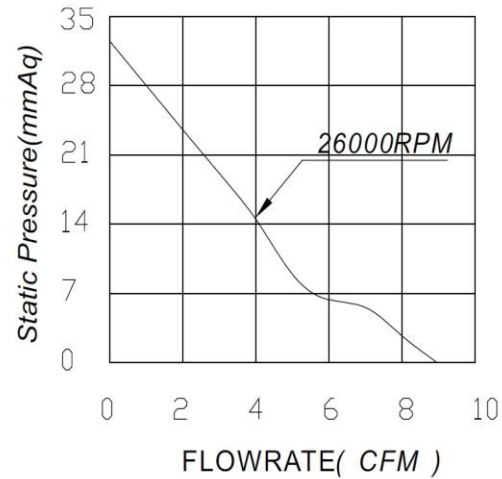
- Dimension:

Unit: mm



LEAD WIRE
UL 1061#26AWG OR EQUIVALENT
1: RED WIRE---(+)
2: BLACK WIRE---(-)

- Performance:



DC Axial Fan

Ø30x36mm

- Material: Thermoplastic PBT UL 94V-0
- Bearing: Ball Type
- Certification: CE, RoHS
- Additional functions are optional



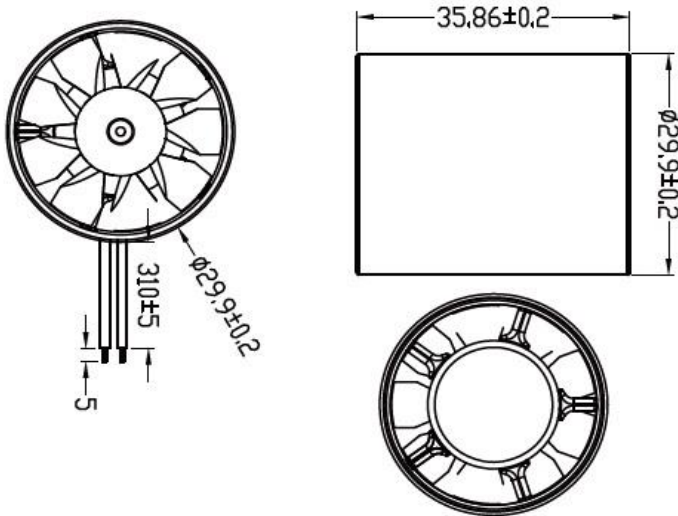
Model	Voltage	Current	Power	Speed	Air Flow		Pressure		Noise
	VDC	Amp	Watt	RPM	CFM	m3/min	mmH2O	inH2O	dB(A)
AXD3036V6H-K	6	0.07	0.42	14000	4.8	0.14	11.4	0.45	42

DC Axial Fan

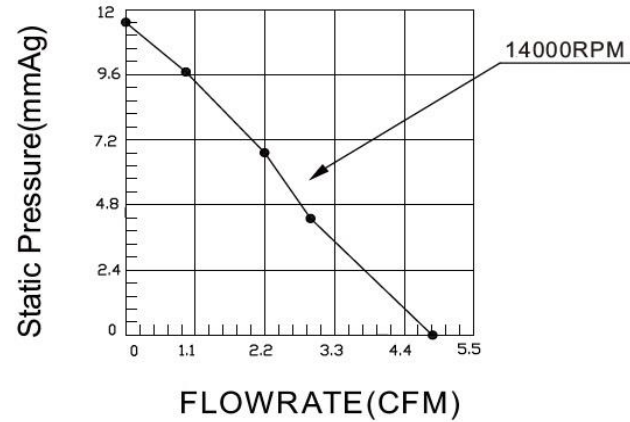
Ø30x36mm

- Dimension:

Unit: mm



- Performance:



AC/DC Ultra-High-Speed Fan

Ø30x45mm

- Material: Thermoplastic PBT UL 94V-0
- Bearing: Ball Type
- Certification: CE, RoHS
- Additional functions are optional

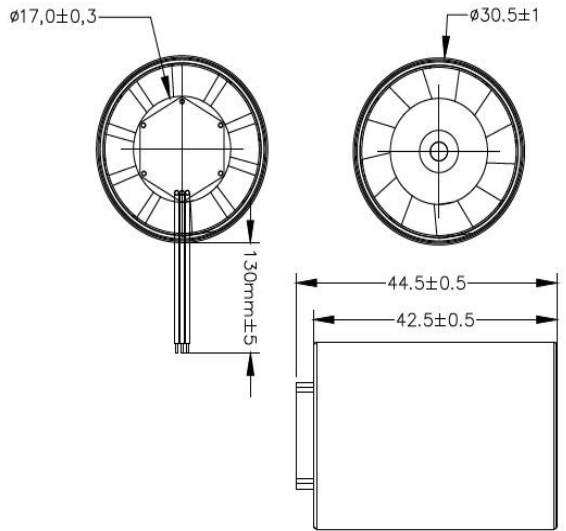


Model	Voltage	Current	Power	Speed	Air Flow		Pressure		Noise
	VDC	Amp	Watt	RPM	CFM	m3/min	mmH2O	inH2O	dB(A)
U3045V12H-K	12	3.6	43.2	80000	0.628	22.2	328.5	12.96	67
U3045V24H-K	24	1.8	43.2	80000	0.628	22.2	328.5	12.96	67
U3045V2H-K	220 VAC	0.19	43.2	80000	0.628	22.2	328.5	12.96	67

AC/DC Ultra-High-Speed Fan

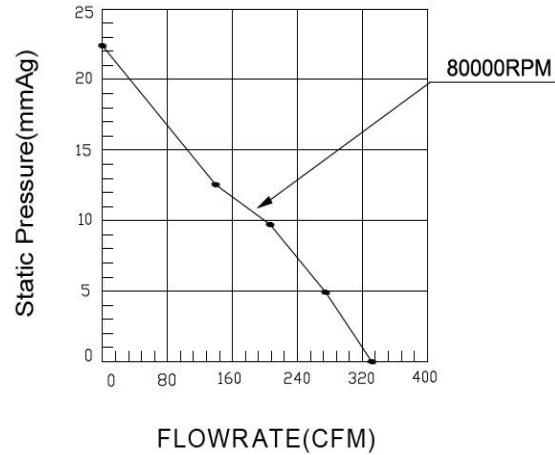
Ø30x45mm

- Dimension:
Unit: mm



UNIT: mm

- Performance:



DC Ultra-High-Speed Blower

40x28mm

- Material: PC Plastic
- Bearing: Ball Type
- Certification: CE, RoHS
- Additional functions are optional



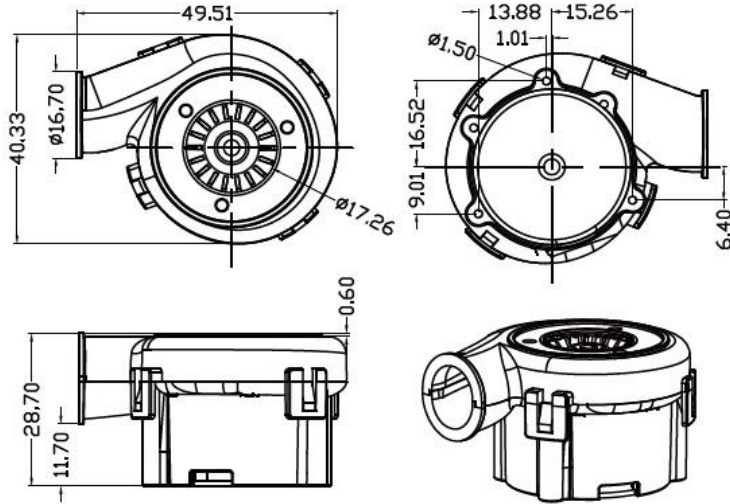
Model	Voltage	Current	Power	Speed	Air Flow		Pressure		Noise
	VDC	Amp	Watt	RPM	CFM	m3/min	mmH2O	inH2O	dB(A)
U4028V24H-K	24	2	48	48000	12	0.34	602	23.71	71

DC Ultra-High-Speed Blower

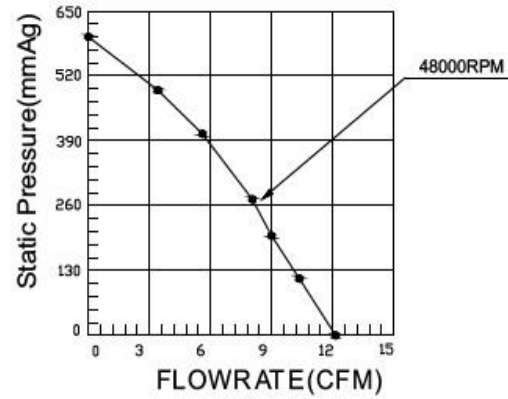
40x28mm

- Dimension:

Unit: mm



- Performance:



DC Ultra-High-Speed Blower

50x25mm

- Housing: Thermoplastic PBT (UL 94V-0)
- Impeller: Thermoplastic PBT (UL 94V-0)
- Bearing: Ball Type
- Certification: CE, RoHS
- Additional functions are optional



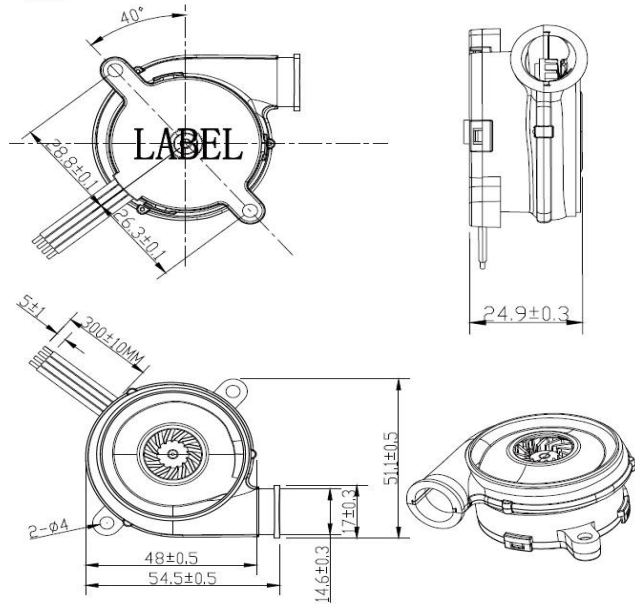
Model	Voltage	Current	Power	Speed	Air Flow		Pressure		Noise
	VDC	Amp	Watt	RPM	CFM	m3/min	mmH2O	inH2O	dB(A)
U5025V12H-K	12	2.8	33.6	40000	10.09	0.286	538	21.18	70.2
U5025V24H-K	24	1.4	33.6	40000	10.09	0.286	538	21.18	70.2

DC Ultra-High-Speed Blower

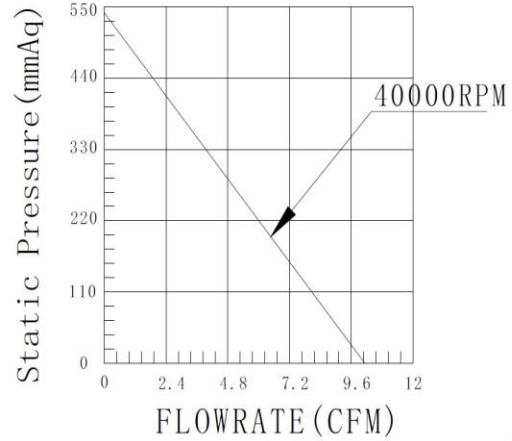
50x25mm

- Dimension:

Unit: mm



- Performance:



DC Ultra-High-Speed Blower

50x25mm – B Type

- Housing: Thermoplastic PBT (UL 94V-0)
- Impeller: Thermoplastic PBT (UL 94V-0)
- Bearing: Ball Type
- Certification: CE, RoHS
- Additional functions are optional

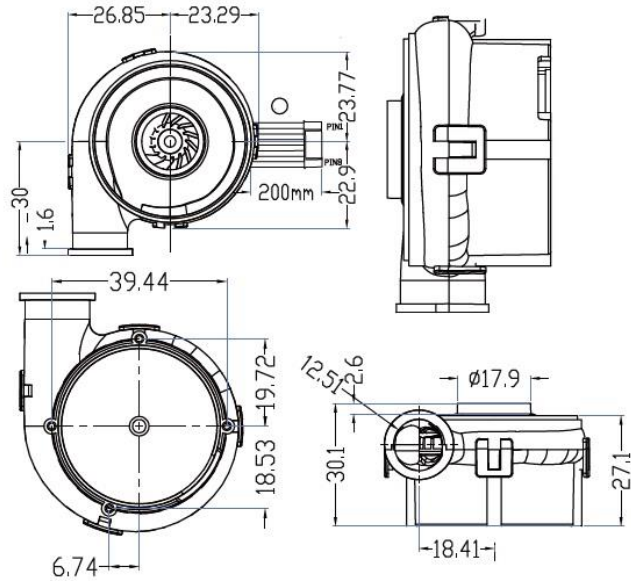


Model	Voltage	Current	Power	Speed	Air Flow		Pressure		Noise
	VDC	Amp	Watt	RPM	CFM	m3/min	mmH2O	inH2O	dB(A)
U5025V24H-K2	24	1	24	37000	9.5	0.269	412.8	16.25	67

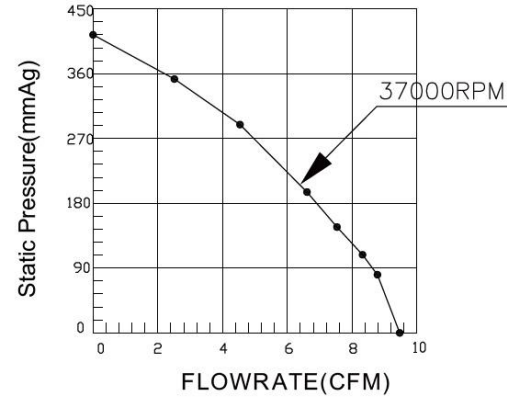
DC Ultra-High-Speed Blower

50x25mm – B Type

- Dimension:
Unit: mm



- Performance:



DC Ultra-High-Speed Fan

Ø54x45mm

- Housing: Thermoplastic PBT (UL 94V-0)
- Impeller: Thermoplastic PBT (UL 94V-0)
- Certification: CE, RoHS
- Additional functions are optional

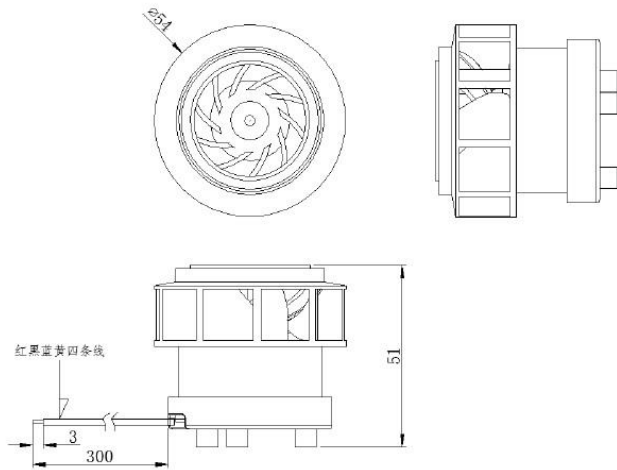


Model	Voltage	Current	Power	Speed	Air Flow		Pressure		Noise
	VDC	Amp	Watt	RPM	CFM	m3/min	mmH2O	inH2O	dB(A)
U5445V12M-T	12	2.3	27.6	16500	58.5	1.66	178.45	7.02	62.5
U5445V24M-T	24	1.2	27.6	16500	58.5	1.66	178.45	7.02	62.5

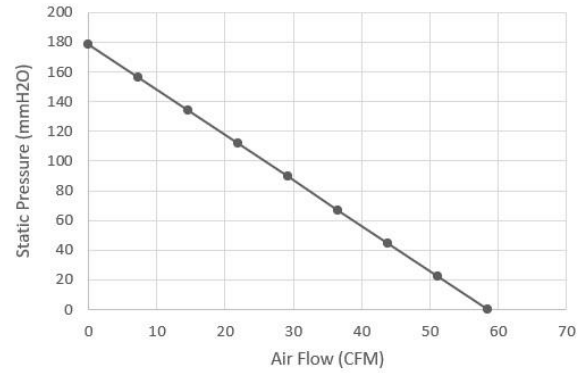
DC Ultra-High-Speed Fan

Ø54x45mm

- Dimension:
Unit: mm



- Performance:



DC Ultra-High-Speed Blower

65x34mm

- Housing: Thermoplastic PBT (UL 94V-0)
- Impeller: Thermoplastic PBT (UL 94V-0)
- Certification: CE, RoHS
- Additional functions are optional



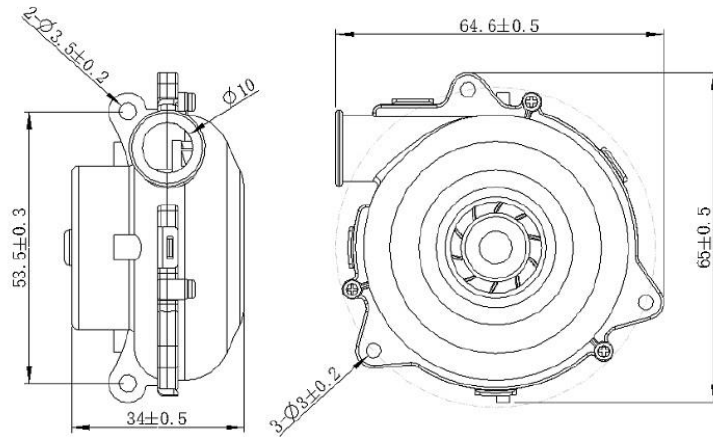
Model	Voltage	Current	Power	Speed	Air Flow		Pressure		Noise
	VDC	Amp	Watt	RPM	CFM	m3/min	mmH2O	inH2O	dB(A)
U6534V12H-T	12	2.15	25.8	28000	13.8	0.39	469.07	18.47	66.5
U6534V24H-T	24	1.07	25.8	28000	13.8	0.39	469.07	18.47	66.5

DC Ultra-High-Speed Blower

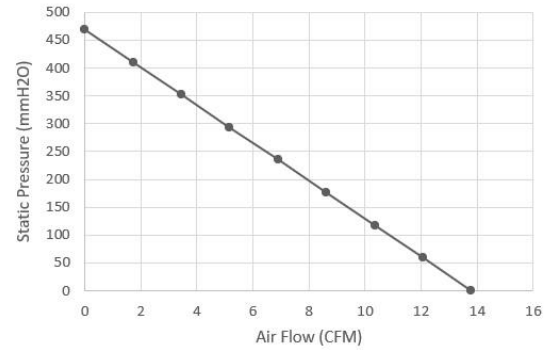
65x34mm

- Dimension:

Unit: mm



- Performance:



DC Ultra-High-Speed Blower

Ø50x60mm

- Housing: Plastic
- Impeller: Plastic
- Certification: CE, RoHS
- Additional functions are optional



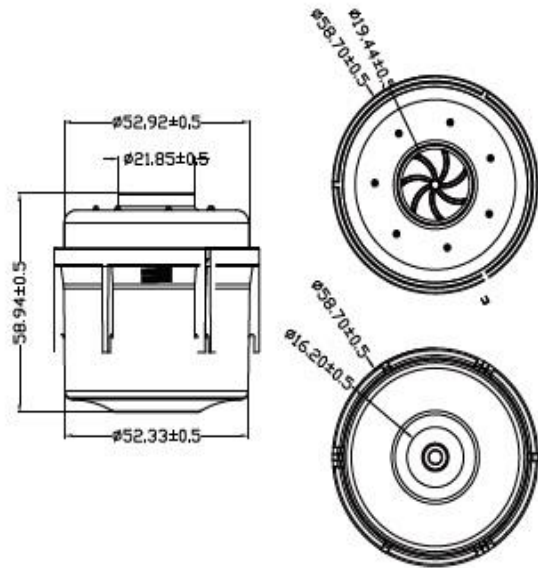
Model	Voltage	Current	Power	Speed	Air Flow		Pressure		Noise
	VDC	Amp	Watt	RPM	CFM	m3/min	mmH2O	inH2O	dB(A)
U5060V24H-K	24	4.2	100.8	31000	14	0.396	859.5	33.86	71.3

DC Ultra-High-Speed Blower

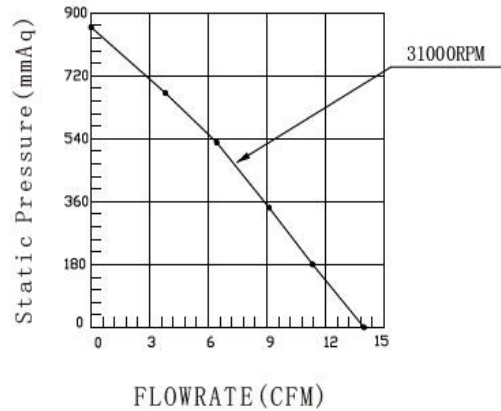
Ø50x60mm

- Dimension:

Unit: mm



- Performance:



DC Ultra-High-Speed Blower

65x63x70mm

- Housing: Thermoplastic PBT (UL 94V-0)
- Impeller: PA66
- Certification: CE, RoHS
- Additional functions are optional



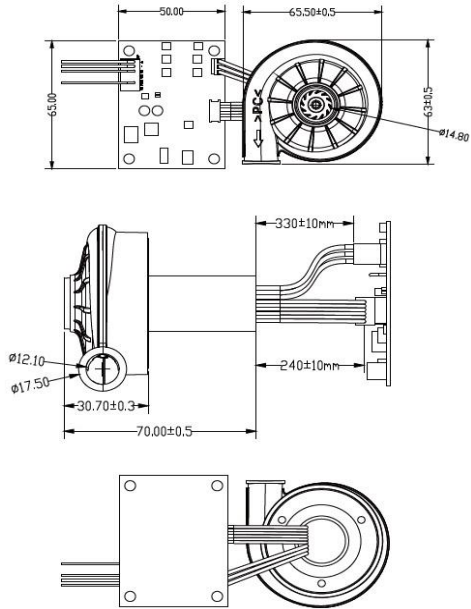
Model	Voltage	Current	Power	Speed	Air Flow		Pressure		Noise
	VDC	Amp	Watt	RPM	CFM	m3/min	mmH2O	inH2O	dB(A)
U6570V24HR-K	24	3.1	74.4	48000	18.09	0.512	925.7	36.44	70

DC Ultra-High-Speed Blower

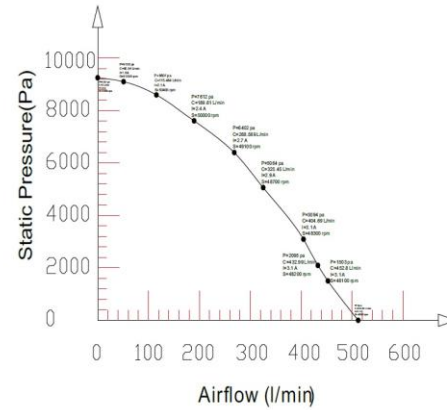
65x63x70mm

- Dimension:

Unit: mm



- Performance:



DC Ultra-High-Speed Blower

75x65x45mm

- Housing: Thermoplastic PBT (UL 94V-0)
- Impeller: Thermoplastic PBT (UL 94V-0)
- Certification: CE, RoHS
- Additional functions are optional



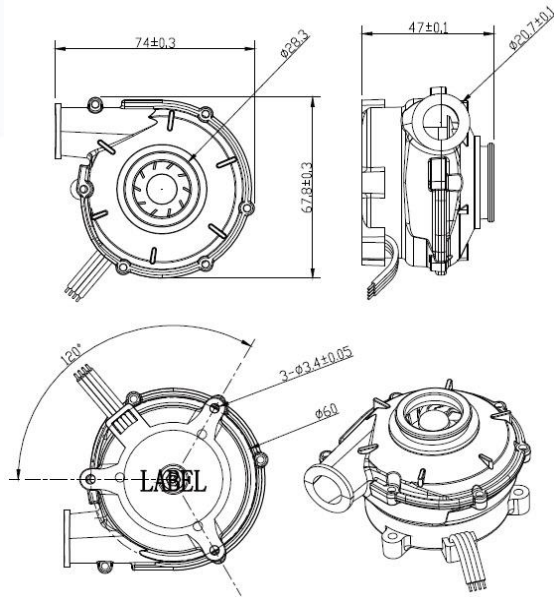
Model	Voltage	Current	Power	Speed	Air Flow		Pressure		Noise
	VDC	Amp	Watt	RPM	CFM	m3/min	mmH2O	inH2O	dB(A)
U7545V12H-K	12	6	72	38000	17.84	0.505	721	28.39	71.7
U7545V24H-K	24	3	72	38000	17.84	0.505	721	28.39	71.7

DC Ultra-High-Speed Blower

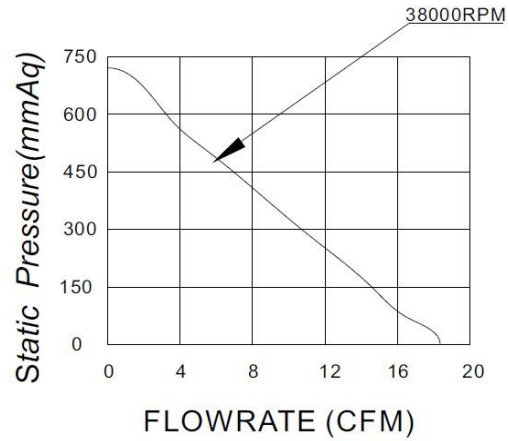
75x65x45mm

- Dimension:

Unit: mm



- Performance:



DC Ultra-High-Speed Blower

70x65x40mm - B Type

- Housing: Plastic
- Impeller: Plastic
- Certification: CE, RoHS
- Additional functions are optional



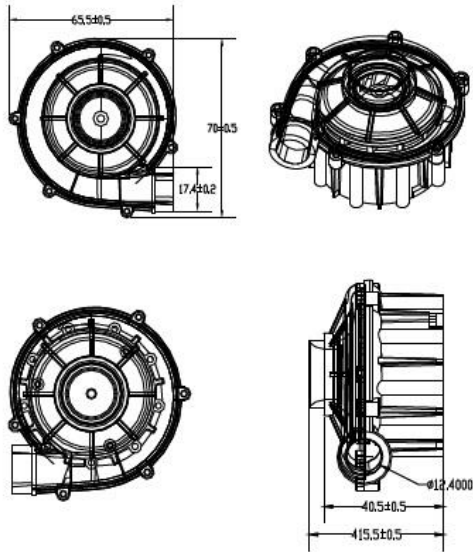
Model	Voltage	Current	Power	Speed	Air Flow		Pressure		Noise
	VDC	Amp	Watt	RPM	CFM	m3/min	mmH2O	inH2O	dB(A)
U7040V24H-K2	24	3.5	84	37000	18.36	0.52	884.75	34.83	70

DC Ultra-High-Speed Blower

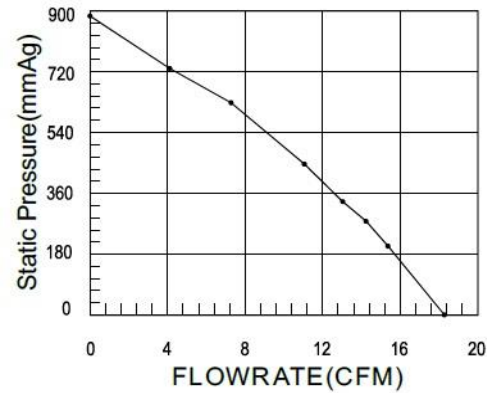
70x65x40mm - B Type

- Dimension:

Unit: mm



- Performance:



DC Ultra-High-Speed Blower

77x54mm

- Housing: Plastic
- Impeller: Plastic
- Certification: CE, RoHS
- Additional functions are optional



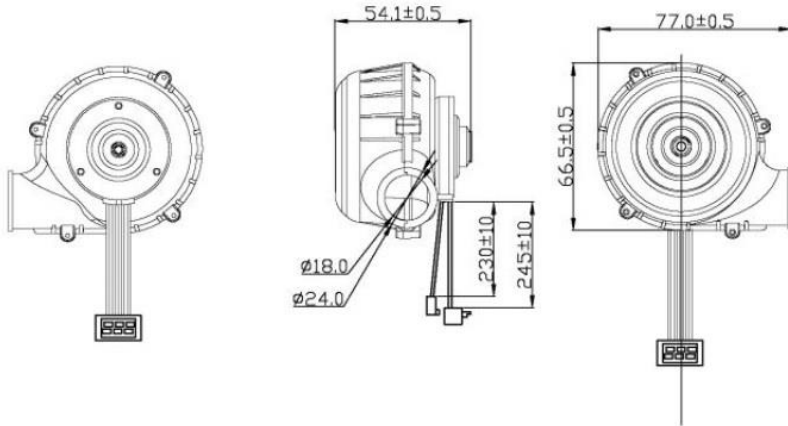
Model	Voltage	Current	Power	Speed	Air Flow		Pressure		Noise
	VDC	Amp	Watt	RPM	CFM	m3/min	mmH2O	inH2O	dB(A)
U7754V12H-T	12	5	60	41000	23.6	0.66	654.05	25.75	65
U7754V24H-T	24	2.5	60	41000	23.6	0.66	654.05	25.75	65

DC Ultra-High-Speed Blower

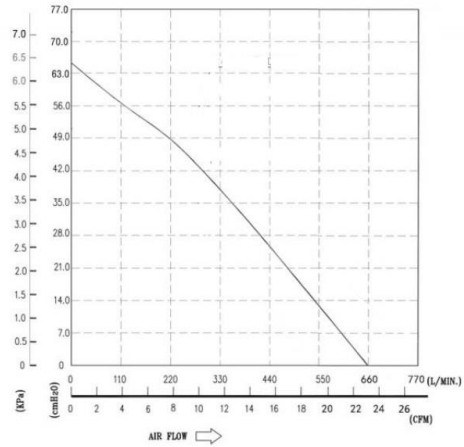
77x54mm

- Dimension:

Unit: mm



- Performance:



DC Ultra-High-Speed Blower

77x66x57mm

- Housing: Thermoplastic PBT (UL 94V-0)
- Impeller: Thermoplastic PBT (UL 94V-0)
- Certification: CE, RoHS
- Additional functions are optional



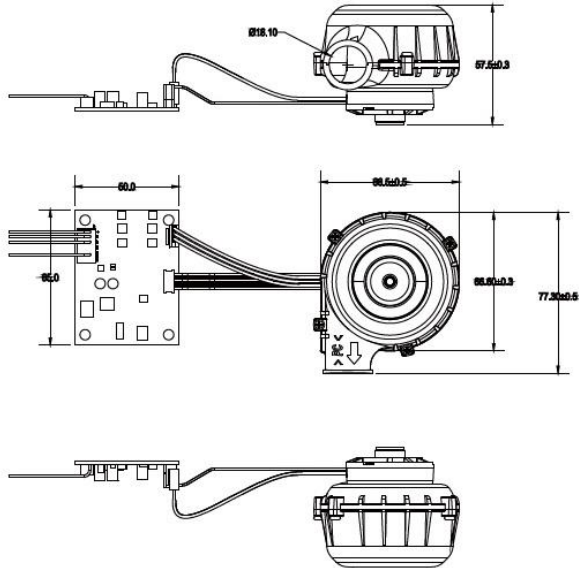
Model	Voltage	Current	Power	Speed	Air Flow		Pressure		Noise
	VDC	Amp	Watt	RPM	CFM	m3/min	mmH2O	inH2O	dB(A)
U7757V24H-K	24	1.8	43.2	31100	18.71	0.53	519.5	20.45	70

DC Ultra-High-Speed Blower

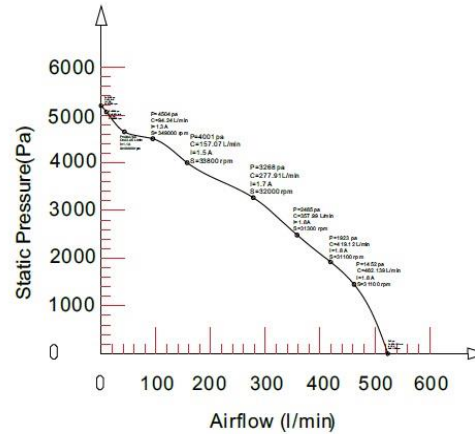
77x66x57mm

- Dimension:

Unit: mm



- Performance:



DC Ultra-High-Speed Blower

77x66x57mm - C Type

- Housing: Plastic
- Impeller: Plastic
- Certification: CE, RoHS
- Additional functions are optional



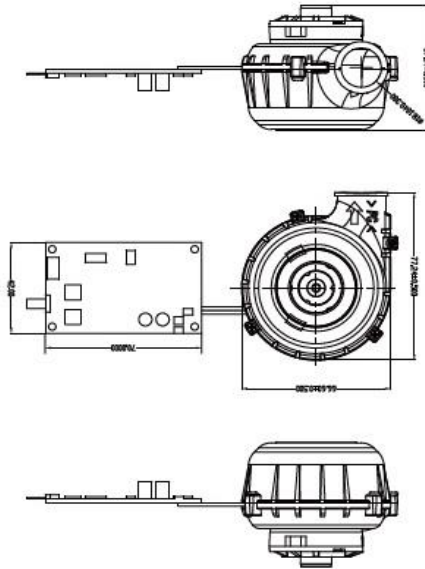
Model	Voltage	Current	Power	Speed	Air Flow		Pressure		Noise
	VDC	Amp	Watt	RPM	CFM	m3/min	mmH2O	inH2O	dB(A)
U7757V24H-K3	24	1.5	36	33000	19.8	0.56	466	18.356	74.1

DC Ultra-High-Speed Blower

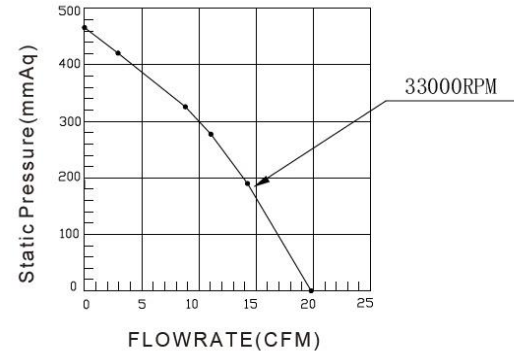
77x66x57mm - C Type

- Dimension:

Unit: mm



- Performance:



DC Ultra-High-Speed Blower

77x66x57mm - D Type

- Housing: Plastic
- Impeller: Plastic
- Certification: CE, RoHS
- Additional functions are optional



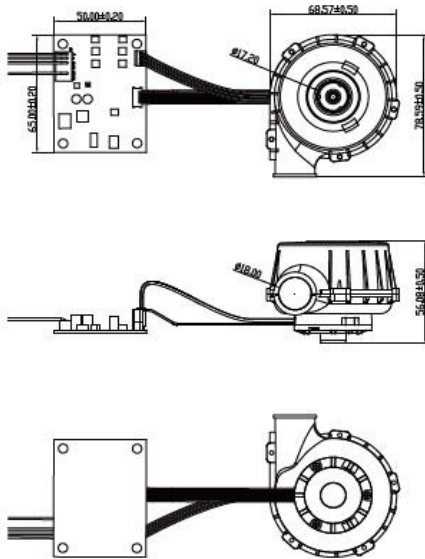
Model	Voltage	Current	Power	Speed	Air Flow		Pressure		Noise
	VDC	Amp	Watt	RPM	CFM	m3/min	mmH2O	inH2O	dB(A)
U7757V24H-K4	24	1.5	36	32000	16.8	0.48	488.8	19.25	71.3

DC Ultra-High-Speed Blower

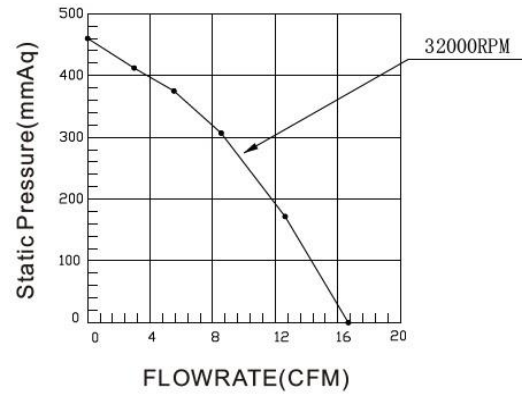
77x66x57mm - D Type

- Dimension:

Unit: mm



- Performance:



DC Ultra-High-Speed Blower

77x66x57mm - F Type

- Housing: Plastic
- Impeller: Plastic
- Certification: CE, RoHS
- Additional functions are optional



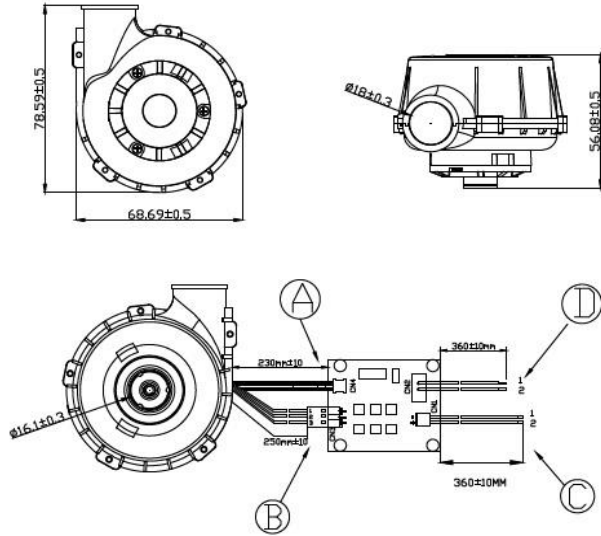
Model	Voltage	Current	Power	Speed	Air Flow		Pressure		Noise
	VDC	Amp	Watt	RPM	CFM	m3/min	mmH2O	inH2O	dB(A)
U7757V24H-K6	24	1.5	36	32000	15.9	0.45	493.3	19.43	71.3

DC Ultra-High-Speed Blower

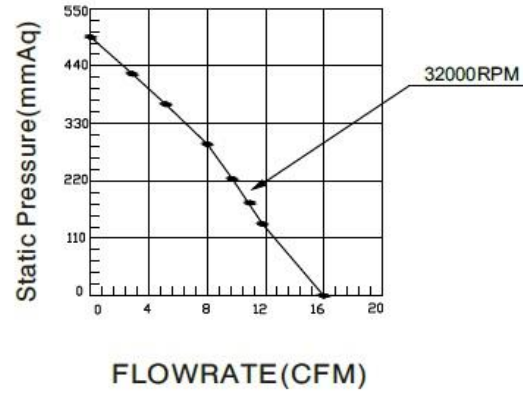
77x66x57mm - F Type

- Dimension:

Unit: mm



- Performance:



DC Ultra-High-Speed Blower

75x70mm

- Housing: Thermoplastic PBT (UL 94V-0)
- Impeller: PA66
- Certification: CE, RoHS
- Additional functions are optional



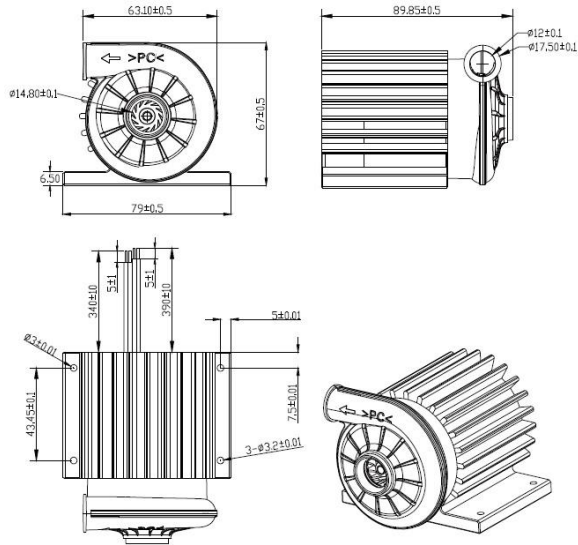
Model	Voltage	Current	Power	Speed	Air Flow		Pressure		Noise
	VDC	Amp	Watt	RPM	CFM	m3/min	mmH2O	inH2O	dB(A)
U7570V24HR-K	24	2.9	69.6	42000	16.73	0.473	1058.75	41.68	75.1

DC Ultra-High-Speed Blower

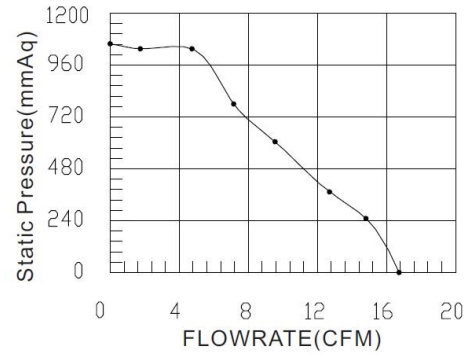
75x70mm

- Dimension:

Unit: mm



- Performance:



DC Ultra-High-Speed Blower

80x35mm

- Housing: Plastic
- Impeller: Plastic
- Certification: CE, RoHS
- Additional functions are optional

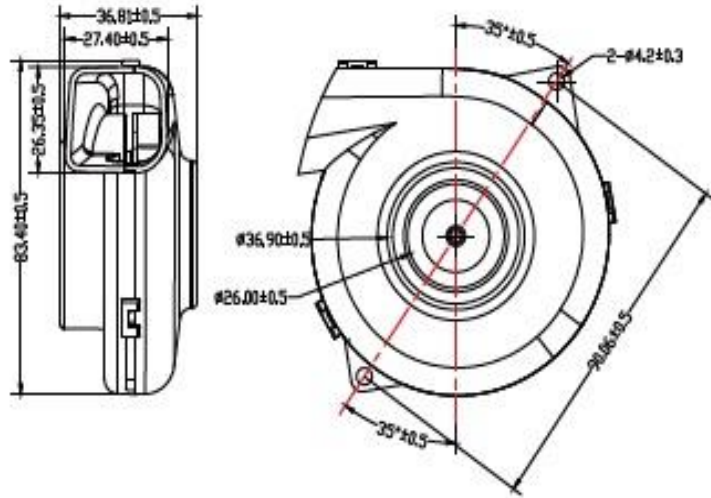


Model	Voltage	Current	Power	Speed	Air Flow		Pressure		Noise
	VDC	Amp	Watt	RPM	CFM	m3/min	mmH2O	inH2O	dB(A)
U8035V12M-K	12	1.5	18	15000	23.8	0.67	168.9	6.65	63.1
U8035V12H-K	12	4	48	20000	30.6	0.87	350.3	13.8	68.2
U8035V24M-K	24	0.75	18	15000	23.8	0.67	168.9	6.65	63.1
U8035V24H-K	24	2	48	20000	30.6	0.87	350.3	13.8	68.2
U8035V24HR-K	24	2.7	64.8	22000	34.4	0.98	446	17.57	720

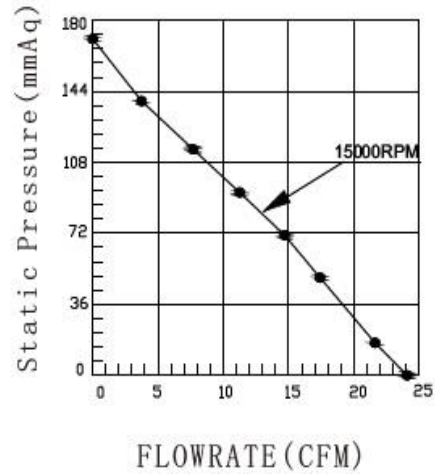
DC Ultra-High-Speed Blower

80x35mm

- Dimension:
Unit: mm



- Performance:



DC Ultra-High-Speed Blower

80x35mm - B Type

- Housing: Plastic
- Impeller: Plastic
- Certification: CE, RoHS
- Additional functions are optional



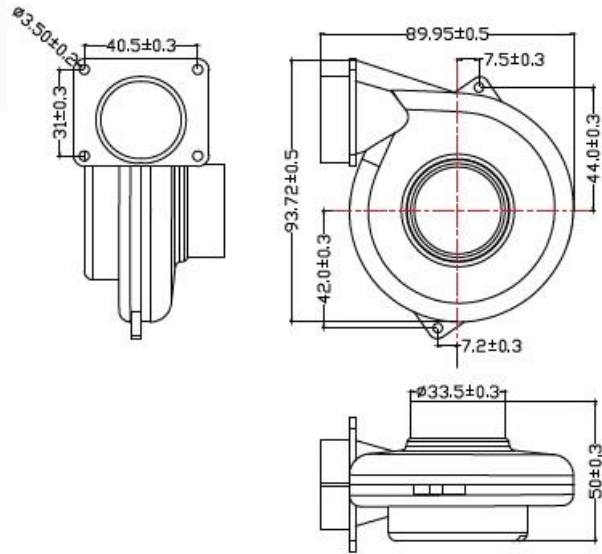
Model	Voltage	Current	Power	Speed	Air Flow		Pressure		Noise
	VDC	Amp	Watt	RPM	CFM	m3/min	mmH2O	inH2O	dB(A)
U8035V12H-K2	12	3.3	39.6	18000	26.9	0.76	336.8	13.27	68.4
U8035V24H-K2	24	1.65	39.6	18000	26.9	0.76	336.8	13.27	68.4

DC Ultra-High-Speed Blower

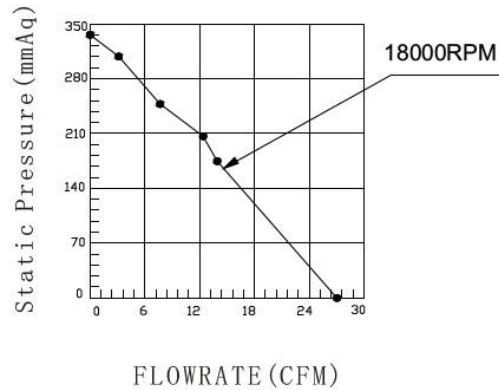
80x35mm - B Type

- Dimension:

Unit: mm



- Performance:



DC Ultra-High-Speed Blower

80x60mm

- Housing: Thermoplastic PBT UL 94V-0
- Impeller: PA66
- Certification: CE, RoHS
- Additional functions are optional

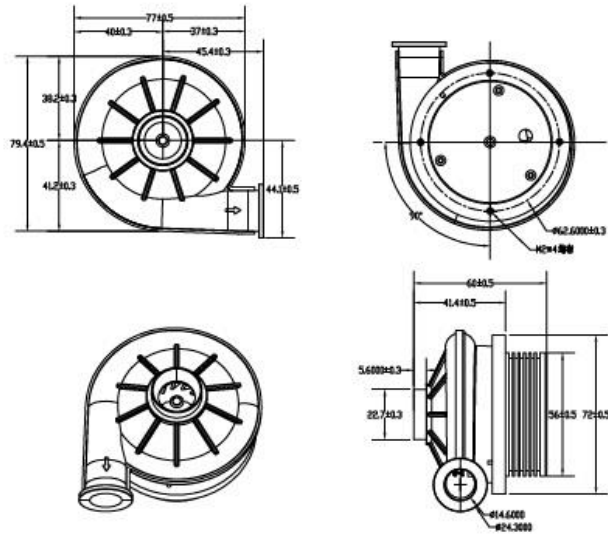


Model	Voltage	Current	Power	Speed	Air Flow		Pressure		Noise
	VDC	Amp	Watt	RPM	CFM	m3/min	mmH2O	inH2O	dB(A)
U8060V24M-K	24	1.86	44.4	25000	18.4	0.515	497.8	19.6	68.4
U8060V24H-K	24	4.3	103.2	35000	25.4	0.719	1009.5	39.7	70.9
U8060V24HR-K	24	5.4	129.6	37000	28.1	0.795	1119.5	44.1	70.9
U8060V24HH-K	24	8.5	204	44000	33.8	0.967	1681.3	66.2	84.3

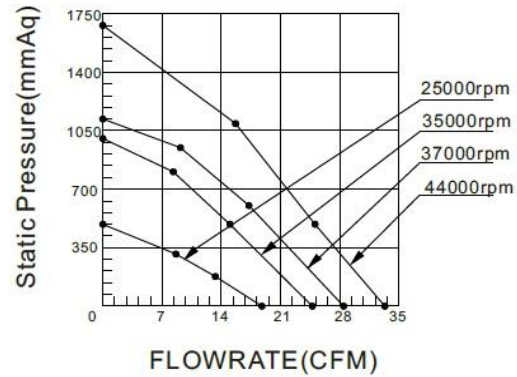
DC Ultra-High-Speed Blower

80x60mm

- Dimension:
Unit: mm



- Performance:



DC Ultra-High-Speed Blower

85x24mm

- Housing: PLASTIC PBT (UL 94V-0)
- Impeller: PLASTIC PBT (UL 94V-0)
- Certification: CE, RoHS
- Additional functions are optional



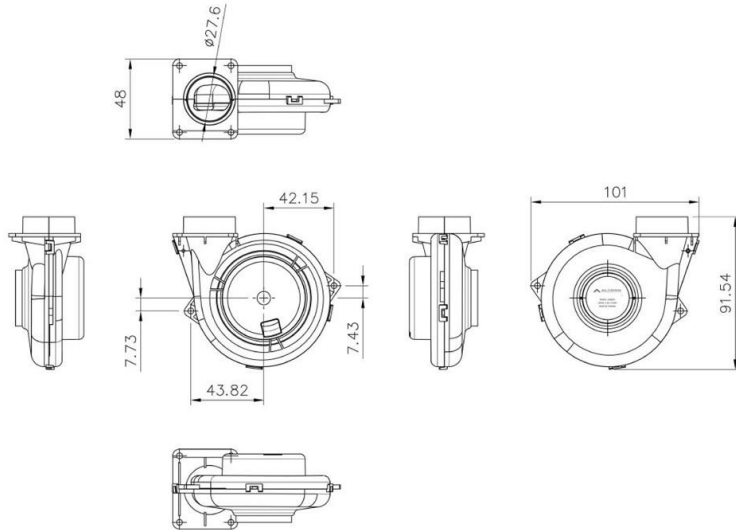
Model	Voltage	Current	Power	Speed	Air Flow		Pressure		Noise
	VDC	Amp	Watt	RPM	CFM	m3/min	mmH2O	inH2O	dB(A)
U8524V12M-T	12	3.2	28.8	17000	23.83	0.816	115.5	4.54	66
U8524V24M-T	24	1.6	28.8	17000	23.83	0.816	115.5	4.54	66

DC Ultra-High-Speed Blower

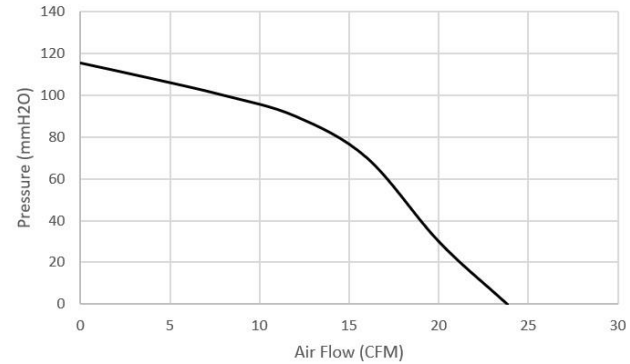
85x24mm

- Dimension:

Unit: mm



- Performance:



DC Ultra-High-Speed Blower

85x38mm

- Housing: PLASTIC PBT (UL 94V-0)
- Impeller: PLASTIC PBT (UL 94V-0)
- Certification: CE, RoHS
- Additional functions are optional



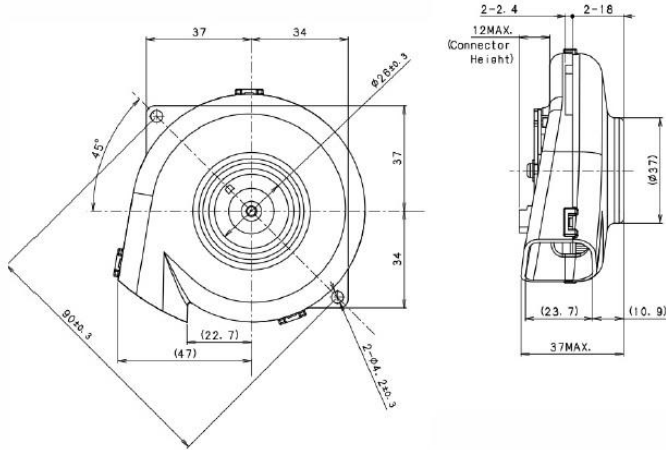
Model	Voltage	Current	Power	Speed	Air Flow		Pressure		Noise
	VDC	Amp	Watt	RPM	CFM	m3/min	mmH2O	inH2O	dB(A)
U8538V12M-T	12	1	14.8	13000	30	0.85	163.15	6.42	62.5
U8538V24M-T	24	0.5	14.8	13000	30	0.85	163.15	6.42	62.5

DC Ultra-High-Speed Blower

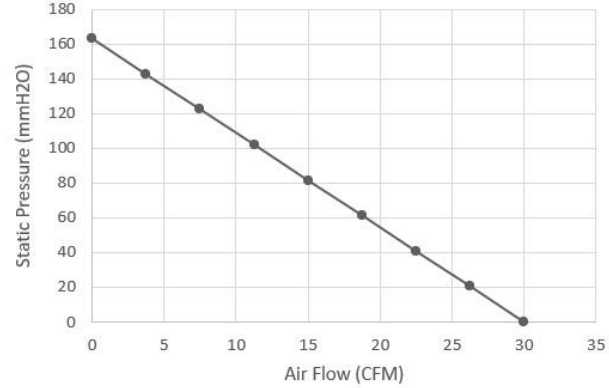
85x38mm

- Dimension:

Unit: mm



- Performance:



DC Ultra-High-Speed Blower

97x25mm

- Housing: PPS
- Impeller: PPS
- Certification: CE, RoHS
- Additional functions are optional



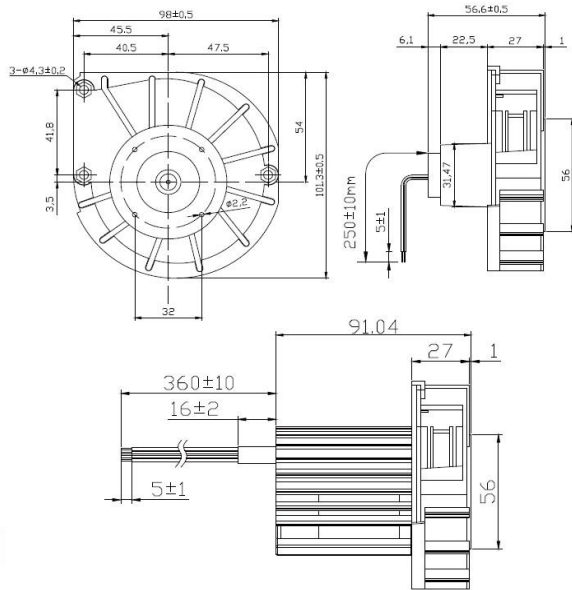
Model	Voltage	Current	Power	Speed	Air Flow		Pressure		Noise
	VDC	Amp	Watt	RPM	CFM	m3/min	mmH2O	inH2O	dB(A)
U9725V5L-K	5	0.58	2.9	8000	15.18	0.43	42.16	1.66	54.8
U9725V24M-K	24	0.67	16.08	14100	28.47	0.806	166.33	6.548	68.5
U9725V24H-K	24	1.55	37.2	20000	37.05	1.047	271.09	9.579	74

DC Ultra-High-Speed Blower

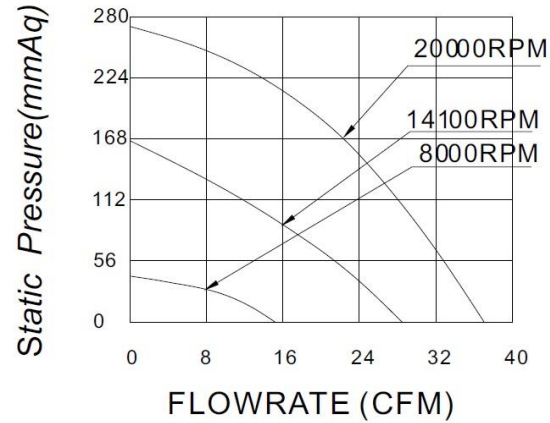
97x25mm

- Dimension:

Unit: mm



- Performance:



DC Ultra-High-Speed Blower

97x25mm - B Type

- Housing: PPS
- Impeller: PPS
- Certification: CE, RoHS
- Additional functions are optional



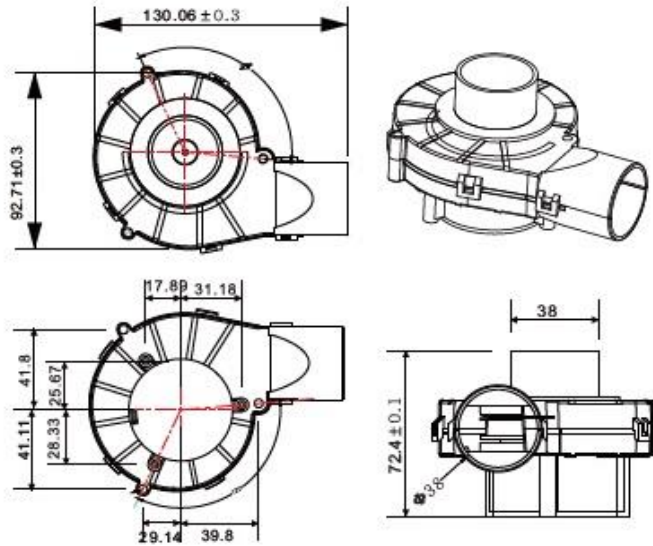
Model	Voltage	Current	Power	Speed	Air Flow		Pressure		Noise
	VDC	Amp	Watt	RPM	CFM	m3/min	mmH2O	inH2O	dB(A)
U9725V12L-K2	12	0.6	7.2	9000	19.7	0.56	58.2	2.3	59.9
U9725V12M-K2	12	1.5	18	14000	30.9	0.88	153.2	6.03	68.6
U9725V24LR-K2	24	0.3	7.2	9000	1.7	0.56	58.2	2.3	59.9
U9725V24M-K2	24	0.75	18	14000	30.9	0.88	153.2	6.03	68.6

DC Ultra-High-Speed Blower

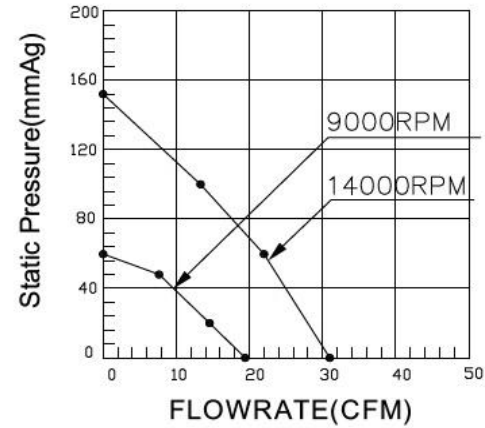
97x25mm - B Type

- Dimension:

Unit: mm



- Performance:



DC Ultra-High-Speed Blower

120x60mm

- Housing: PC on Upper Volute, Aluminum on Lower Volute
- Impeller: Aluminum
- Certification: CE, RoHS
- Additional functions are optional

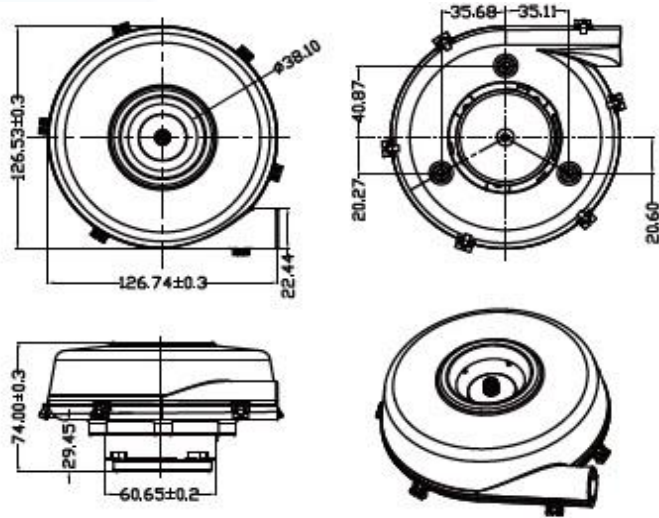


Model	Voltage	Current	Power	Speed	Air Flow		Pressure		Noise
	VDC	Amp	Watt	RPM	CFM	m3/min	mmH2O	inH2O	dB(A)
U12060V12LW-K	12	0.56	6.7	5000	13	0.368	57.1	2.25	57.1
U12060V12LR-K	12	5	60	11000	26.3	0.744	326.8	12.87	67.4
U12060V12M-K	12	12.4	148.8	15000	37.3	1.056	752	29.61	71.9
U12060V24LW-K	24	0.28	6.7	5000	13	0.368	57.1	2.25	57.1
U12060V24LR-K	24	2.5	60	11000	26.3	0.744	326.8	12.87	67.4
U12060V24M-K	24	6.2	148.8	15000	37.3	1.056	752	29.61	71.9

DC Ultra-High-Speed Blower

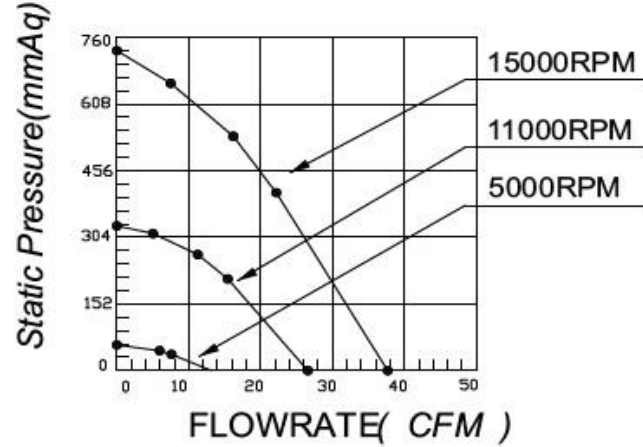
120x60mm

- Dimension:
Unit: mm



UNIT: $\frac{\text{mm}}{\text{(INCH)}}$

- Performance:



DC Ultra-High-Speed Blower

120x60mm - B Type

- Housing: Aluminum
- Impeller: Aluminum
- Certification: CE, RoHS
- Additional functions are optional



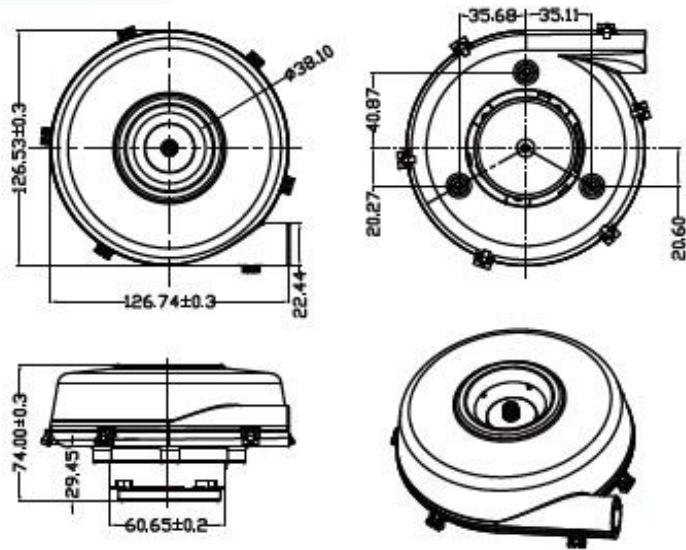
Model	Voltage	Current	Power	Speed	Air Flow		Pressure		Noise
	VDC	Amp	Watt	RPM	CFM	m3/min	mmH2O	inH2O	dB(A)
U12060V24H-K2	24	6.5	156	15000	67.88	1.92	638	25.13	77.8

DC Ultra-High-Speed Blower

120x60mm - B Type

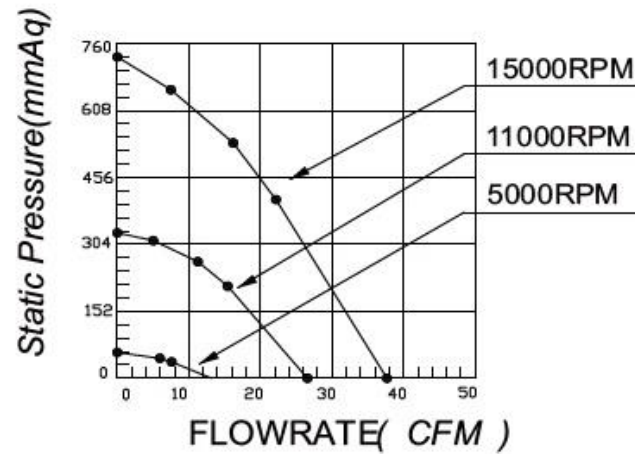
- Dimension:

Unit: mm



UNIT: $\frac{\text{mm}}{(\text{INCH})}$

- Performance:





Change is a perpetual motion

Phone: +886-7-215-0001

Mobile: +886-938-016696

E-mail: service@cainton.com

Address: 9F.-1, No. 171,
Bizhong St., Yancheng Dist.,
Kaohsiung City 803002, Taiwan (R.O.C.)

www.cainton.com