



CAINTON

Change is a perpetual motion

AC/DC Blower

- Code Rule - p.1
- AC Blower - pp. 2 - 5
- DC Blower - pp. 6 - 112

Code Rule

Fan Type	Fan imension (mm)		Voltage	Speed	Bearing	Connection	Function	Mold Model	IP Level
	Length	Thickness							
BLA: AC Blower			V1: 110VAC	HX: Higher than Extreme	B: Ball Type	L: Lead Wire	N1: FG	-Mold Model	-IP Level
BLD: DC Blower			V2: 220VAC	XH: Extremely High	S: Sleeve Type	C: Connector	N2: RD		
			V3: 380VAC	HH: Much Higher			N3: PWM		
			V12: 12VDC	HR: Higher			N4: Voltage Control		
			V24: 24VDC	H: High			N5: FG+PWM		
			V48: 48VDC	M: Medium			N6: RD+PWM		
			FV: Full Voltage	L: Low			N7: FG+VC		
				LR: Lower			N8: RD+VC		
				LW: Much Lower					
				XL: Extremely Low					
			LX: Lower than Extreme						

AC Blower

102x46mm

- Housing: Aluminum
- Impeller: Aluminum
- Bearing: Ball
- Certification: CE, RoHS
- Additional functions are optional



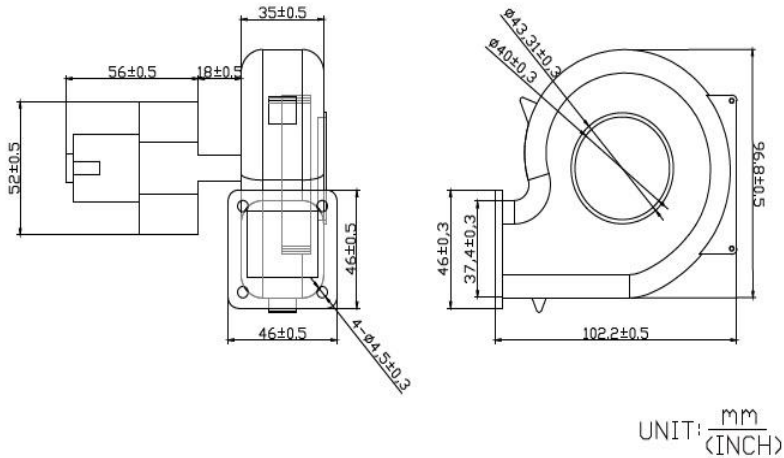
Model	Voltage	Frequency	Current	Power	Speed	Air Flow		Pressure		Noise
	VAC	Hz	Amp	Watt	RPM	CFM	m3/min	mmH2O	inH2O	dB(A)
BLA10246V1H-K	110	50/60	1.62	178.6	15500	37.3	1.06	423.5	0.17	84.1
BLA10246V2H-K	230	50/60	0.81	178.6	15500	37.3	1.06	423.5	0.17	84.1

AC Blower

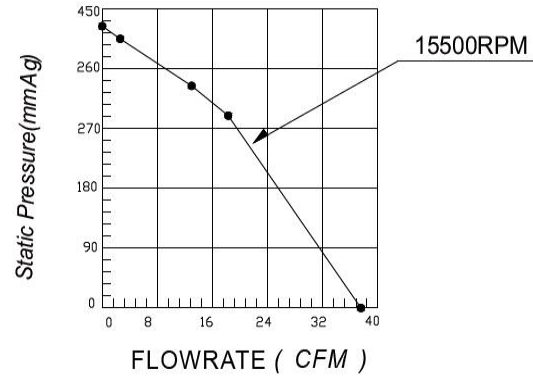
102x46mm

- Dimension:

Unit: mm



- Performance:



AC Blower

123x32mm

- Housing: Aluminum
- Impeller: Plastic
- Bearing: Ball
- Certification: CE, RoHS
- Additional functions are optional

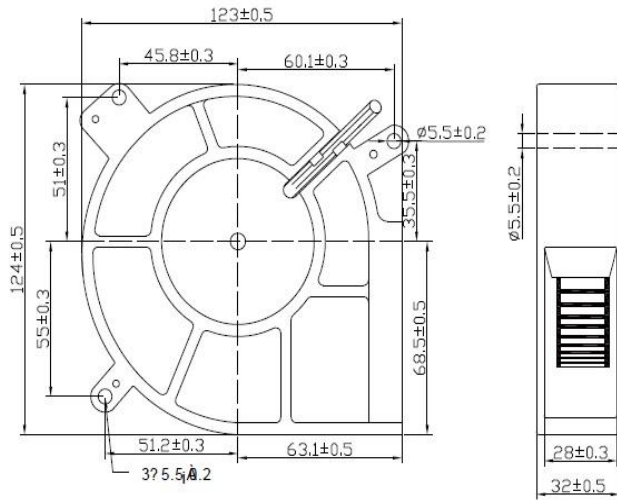


Model	Voltage	Frequency	Current	Power	Speed	Air Flow		Pressure		Noise
	VAC	Hz	Amp	Watt	RPM	CFM	m3/min	mmH2O	inH2O	dB(A)
BLA12332V1M-K	110	50/60	0.26/0.2	21	2200	24.8	0.8	13.2	0.52	45
BLA12332V2M-K	220	50/60	0.12/0.1	21	2200	24.8	0.8	13.2	0.52	45

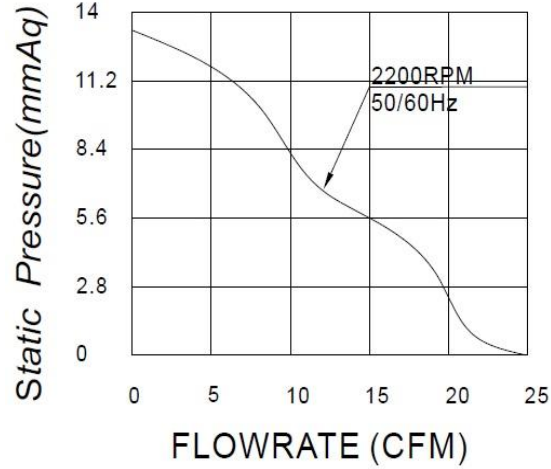
AC Blower

123x32mm

- Dimension:
Unit: mm



- Performance:



DC Blower

30x30x10mm

- Housing: Plastic (UL94V-0)
- Impeller: Plastic (UL94V-0)
- Bearing: Ball, Sleeve
- Certification: CE, RoHS
- Additional functions are optional



Model	Voltage	Current	Power	Speed	Air Flow		Pressure		Noise
	VDC	Amp	Watt	RPM	CFM	m3/min	mmH2O	inH2O	dB(A)
BLD3010V5XL-K	5	0.1	0.5	5500	0.9	0.025	2.27	0.089	23.4
BLD3010V5LW-K	5	0.12	0.6	6000	1.07	0.03	2.86	0.113	25
BLD3010V5LR-K	5	0.13	0.65	6500	1.16	0.033	3.35	0.132	26.5
BLD3010V5L-K	5	0.14	0.7	7000	1.23	0.035	3.91	0.154	28.7
BLD3010V5M-K	5	0.16	0.8	7500	1.31	0.037	4.49	0.177	30
BLD3010V5H-K	5	0.18	0.9	8000	1.36	0.038	5.31	0.209	31.7
BLD3010V5HR-K	5	0.2	1.0	8500	1.39	0.039	5.86	0.231	33.2

DC Blower

30x30x10mm

- Housing: Plastic (UL94V-0)
- Impeller: Plastic (UL94V-0)
- Bearing: Ball, Sleeve
- Certification: CE, RoHS
- Additional functions are optional



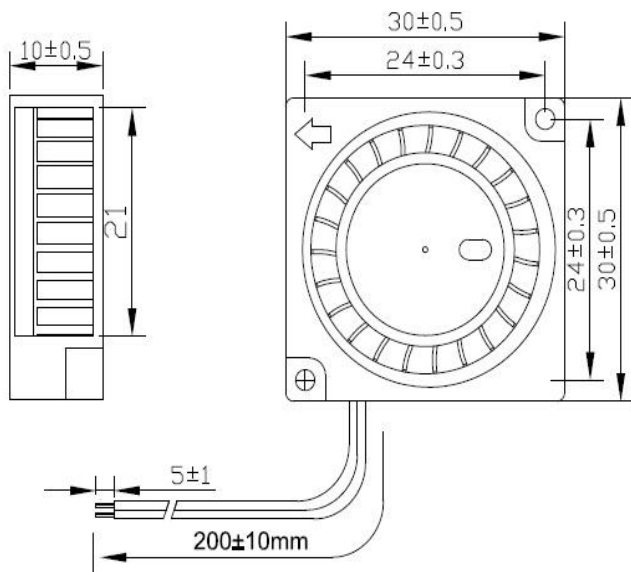
Model	Voltage	Current	Power	Speed	Air Flow		Pressure		Noise
	VDC	Amp	Watt	RPM	CFM	m3/min	mmH2O	inH2O	dB(A)
BLD3010V12XL-K	12	0.042	0.5	5500	0.9	0.025	2.27	0.089	23.4
BLD3010V12LW-K	12	0.05	0.6	6000	1.07	0.03	2.86	0.113	25
BLD3010V12LR-K	12	0.054	0.65	6500	1.16	0.033	3.35	0.132	26.5
BLD3010V12L-K	12	0.058	0.7	7000	1.23	0.035	3.91	0.154	28.7
BLD3010V12M-K	12	0.067	0.8	7500	1.31	0.037	4.49	0.177	30
BLD3010V12H-K	12	0.075	0.9	8000	1.36	0.038	5.31	0.209	31.7
BLD3010V12HR-K	12	0.083	1.0	8500	1.39	0.039	5.86	0.231	33.2

DC Blower

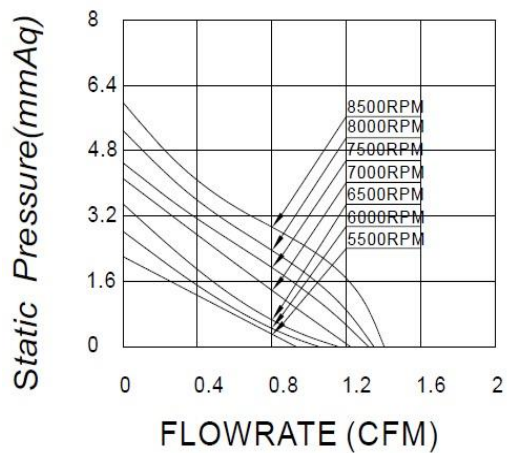
30x30x10mm

- Dimension:

Unit: mm



- Performance:



DC Blower

30x30x15mm

- Housing: Plastic (UL94V-0)
- Impeller: Plastic (UL94V-0)
- Bearing: Ball, Sleeve
- Certification: CE, RoHS
- Additional functions are optional

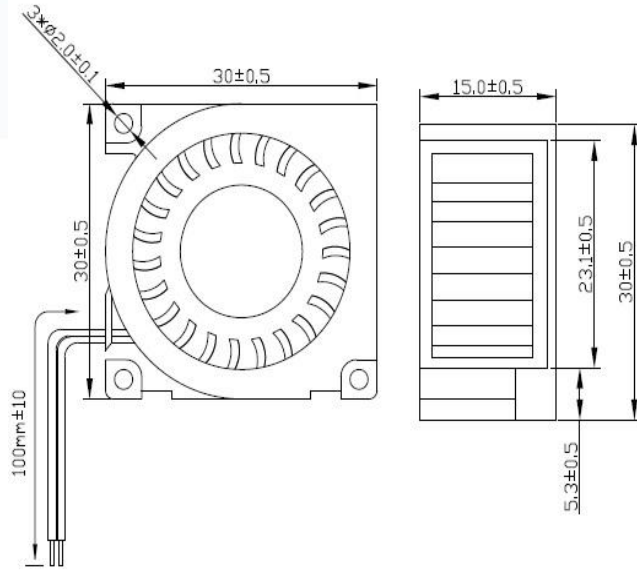


Model	Voltage	Current	Power	Speed	Air Flow		Pressure		Noise
	VDC	Amp	Watt	RPM	CFM	m3/min	mmH2O	inH2O	dB(A)
BLD3010V5L-K	5	0.1	0.5	4000	1.07	0.03	2.18	0.086	17.9
BLD3010V5M-K	5	0.12	0.6	5000	1.4	0.04	3.66	0.144	21.1
BLD3010V5H-K	5	0.13	0.65	6000	1.7	0.048	6.04	0.238	25.3
BLD3010V12L-K	12	0.042	0.5	4000	1.07	0.03	2.18	0.086	17.9
BLD3010V12M-K	12	0.05	0.6	5000	1.4	0.04	3.66	0.144	21.1
BLD3010V12H-K	12	0.054	0.65	6000	1.7	0.048	6.04	0.238	25.3

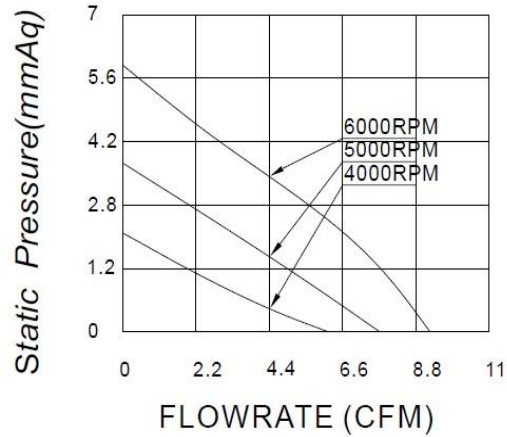
DC Blower

30x30x15mm

- Dimension:
Unit: mm



- Performance:



DC Blower

35x35x10mm

- Housing: Plastic (UL94V-0)
- Impeller: Plastic (UL94V-0)
- Bearing: Ball, Sleeve
- Certification: CE, RoHS
- Additional functions are optional



Model	Voltage	Current	Power	Speed	Air Flow		Pressure		Noise
	VDC	Amp	Watt	RPM	CFM	m3/min	mmH2O	inH2O	dB(A)
BLD3510V5LX-K	5	0.1	0.5	5500	1.25	0.035	2.67	0.105	25.4
BLD3510V5XL-K	5	0.12	0.6	6000	1.42	0.04	3.62	0.143	27.5
BLD3510V5LW-K	5	0.13	0.65	6500	1.45	0.041	4.25	0.167	29.6
BLD3510V5LR-K	5	0.14	0.7	7000	1.6	0.045	5.2	0.205	31.6
BLD3510V5L-K	5	0.16	0.8	7500	1.67	0.047	5.87	0.231	33.5

DC Blower

35x35x10mm

- Housing: Plastic (UL94V-0)
- Impeller: Plastic (UL94V-0)
- Bearing: Ball, Sleeve
- Certification: CE, RoHS
- Additional functions are optional



Model	Voltage	Current	Power	Speed	Air Flow		Pressure		Noise
	VDC	Amp	Watt	RPM	CFM	m3/min	mmH2O	inH2O	dB(A)
BLD3510V5M-K	5	0.18	0.9	8000	1.86	0.053	6.92	0.272	34.9
BLD3510V5H-K	5	0.2	1.0	8500	1.98	0.056	8.05	0.317	36.1
BLD3510V5HR-K	5	0.22	1.1	9000	2.14	0.061	9.1	0.358	37.4
BLD3510V5HH-K	5	0.25	1.25	9500	2.27	0.064	10.18	0.401	39.1
BLD3510V5XH-K	5	0.28	1.4	10000	2.38	0.067	11.58	0.456	40

DC Blower

35x35x10mm

- Housing: Plastic (UL94V-0)
- Impeller: Plastic (UL94V-0)
- Bearing: Ball, Sleeve
- Certification: CE, RoHS
- Additional functions are optional



Model	Voltage	Current	Power	Speed	Air Flow		Pressure		Noise
	VDC	Amp	Watt	RPM	CFM	m3/min	mmH2O	inH2O	dB(A)
BLD3510V12LX-K	12	0.042	0.5	5500	1.25	0.035	2.67	0.105	25.4
BLD3510V12XL-K	12	0.05	0.6	6000	1.42	0.04	3.62	0.143	27.5
BLD3510V12LW-K	12	0.054	0.65	6500	1.45	0.041	4.25	0.167	29.6
BLD3510V12LR-K	12	0.058	0.7	7000	1.6	0.045	5.2	0.205	31.6
BLD3510V12L-K	12	0.067	0.8	7500	1.67	0.047	5.87	0.231	33.5

DC Blower

35x35x10mm

- Housing: Plastic (UL94V-0)
- Impeller: Plastic (UL94V-0)
- Bearing: Ball, Sleeve
- Certification: CE, RoHS
- Additional functions are optional



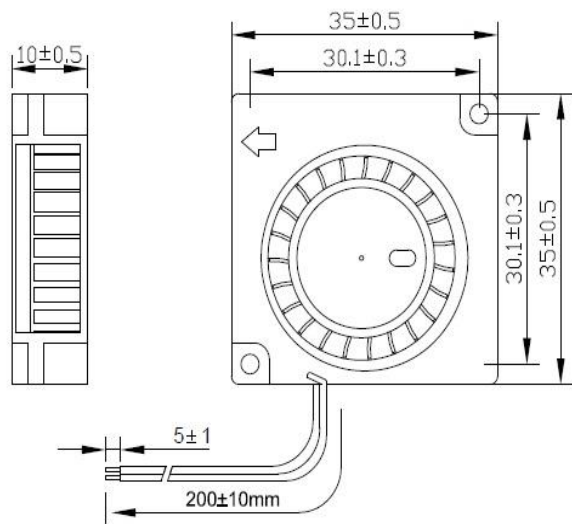
Model	Voltage	Current	Power	Speed	Air Flow		Pressure		Noise
	VDC	Amp	Watt	RPM	CFM	m3/min	mmH2O	inH2O	dB(A)
BLD3510V12M-K	12	0.075	0.9	8000	1.86	0.053	6.92	0.272	34.9
BLD3510V12H-K	12	0.083	1.0	8500	1.98	0.056	8.05	0.317	36.1
BLD3510V12HR-K	12	0.092	1.1	9000	2.14	0.061	9.1	0.358	37.4
BLD3510V12HH-K	12	0.104	1.25	9500	2.27	0.064	10.18	0.401	39.1
BLD3510V12XH-K	12	0.117	1.4	10000	2.38	0.067	11.58	0.456	40

DC Blower

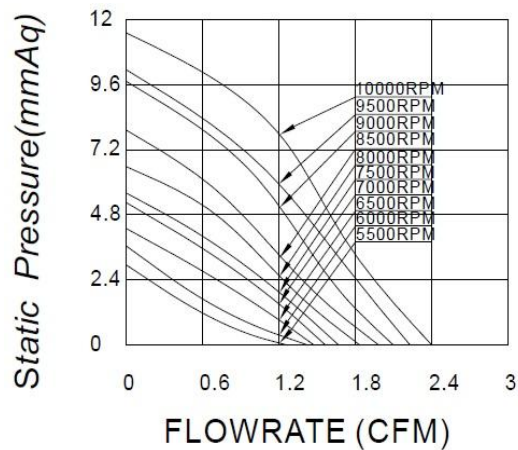
35x35x10mm

- Dimension:

Unit: mm



- Performance:



DC Blower

40x40x10mm

- Housing: Plastic (UL94V-0)
- Impeller: Plastic (UL94V-0)
- Bearing: Ball, Sleeve
- Certification: CE, RoHS
- Additional functions are optional



Model	Voltage	Current	Power	Speed	Air Flow		Pressure		Noise
	VDC	Amp	Watt	RPM	CFM	m3/min	mmH2O	inH2O	dB(A)
BLD4010V5XL-K	5	0.06	0.3	4000	1.09	0.031	2.15	0.085	18.9
BLD4010V5LW-K	5	0.11	0.55	5000	1.34	0.038	3.03	0.119	23.3
BLD4010V5LR-K	5	0.15	0.75	6000	1.64	0.046	4.89	0.193	26
BLD4010V5L-K	5	0.21	1.05	7000	2.03	0.057	7.17	0.282	29.3

DC Blower

40x40x10mm

- Housing: Plastic (UL94V-0)
- Impeller: Plastic (UL94V-0)
- Bearing: Ball, Sleeve
- Certification: CE, RoHS
- Additional functions are optional



Model	Voltage	Current	Power	Speed	Air Flow		Pressure		Noise
	VDC	Amp	Watt	RPM	CFM	m3/min	mmH2O	inH2O	dB(A)
BLD4010V5M-K	5	0.25	1.25	8000	2.42	0.069	9.5	0.374	32.1
BLD4010V5H-K	5	0.29	1.45	9000	2.76	0.078	12.86	0.506	35
BLD4010V5HR-K	5	0.35	1.75	10000	3.2	0.09	13.93	0.548	37
BLD4010V5HH-K	5	0.44	2.2	13500	3.7	0.105	23.61	0.93	47.9

DC Blower

40x40x10mm

- Housing: Plastic (UL94V-0)
- Impeller: Plastic (UL94V-0)
- Bearing: Ball, Sleeve
- Certification: CE, RoHS
- Additional functions are optional



Model	Voltage	Current	Power	Speed	Air Flow		Pressure		Noise
	VDC	Amp	Watt	RPM	CFM	m3/min	mmH2O	inH2O	dB(A)
BLD4010V12XL-K	12	0.025	0.3	4000	1.09	0.031	2.15	0.085	18.9
BLD4010V12LW-K	12	0.046	0.55	5000	1.34	0.038	3.03	0.119	23.3
BLD4010V12LR-K	12	0.062	0.75	6000	1.64	0.046	4.89	0.193	26
BLD4010V12L-K	12	0.09	1.05	7000	2.03	0.057	7.17	0.282	29.3

DC Blower

40x40x10mm

- Housing: Plastic (UL94V-0)
- Impeller: Plastic (UL94V-0)
- Bearing: Ball, Sleeve
- Certification: CE, RoHS
- Additional functions are optional



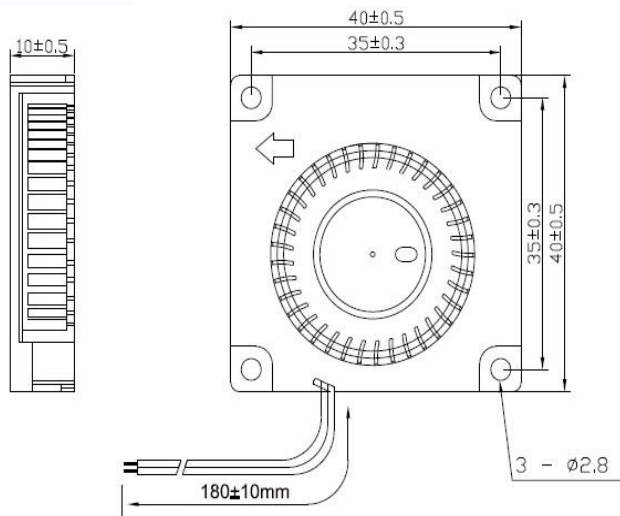
Model	Voltage	Current	Power	Speed	Air Flow		Pressure		Noise
	VDC	Amp	Watt	RPM	CFM	m3/min	mmH2O	inH2O	dB(A)
BLD4010V12M-K	12	0.1	1.25	8000	2.42	0.069	9.5	0.374	32.1
BLD4010V12H-K	12	0.12	1.45	9000	2.76	0.078	12.86	0.506	35
BLD4010V12HR-K	12	0.146	1.75	10000	3.2	0.09	13.93	0.548	37
BLD4010V12HH-K	12	0.183	2.2	13500	3.7	0.105	23.61	0.93	47.9

DC Blower

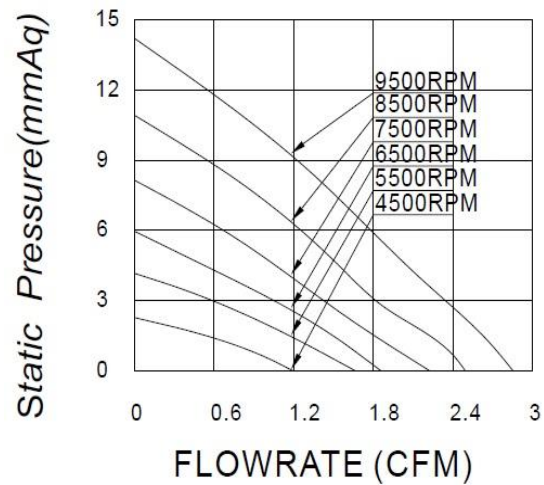
40x40x10mm

- Dimension:

Unit: mm



- Performance:



DC Blower

40x40x15mm

- Housing: Plastic (UL94V-0)
- Impeller: Plastic (UL94V-0)
- Bearing: Ball, Sleeve
- Certification: CE, RoHS
- Additional functions are optional



Model	Voltage	Current	Power	Speed	Air Flow		Pressure		Noise
	VDC	Amp	Watt	RPM	CFM	m3/min	mmH2O	inH2O	dB(A)
BLD4015V5LW-K	5	0.072	0.36	5000	1.37	0.039	3.42	0.135	29
BLD4015V5LR-K	5	0.096	0.48	6000	1.64	0.046	5.25	0.207	33.5
BLD4015V5L-K	5	0.12	0.6	7000	1.97	0.056	7.15	0.281	37.6
BLD4015V5M-K	5	0.168	0.84	8000	2.39	0.068	10.58	0.417	41.2
BLD4015V5H-K	5	0.216	1.08	9000	2.7	0.076	13.7	0.539	44.7
BLD4015V5HR-K	5	0.312	1.56	10000	2.95	0.083	17.7	0.697	47
BLD4015V5HH-K	5	0.35	1.8	11000	3.33	0.094	22.57	0.888	49.4

DC Blower

40x40x15mm

- Housing: Plastic (UL94V-0)
- Impeller: Plastic (UL94V-0)
- Bearing: Ball, Sleeve
- Certification: CE, RoHS
- Additional functions are optional



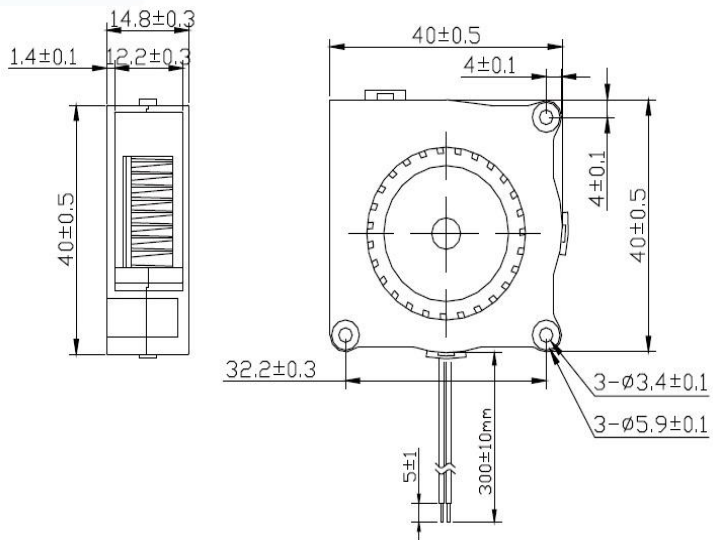
Model	Voltage	Current	Power	Speed	Air Flow		Pressure		Noise
	VDC	Amp	Watt	RPM	CFM	m3/min	mmH2O	inH2O	dB(A)
BLD4015V12LW-K	12	0.03	0.36	5000	1.37	0.039	3.42	0.135	29
BLD4015V12LR-K	12	0.04	0.48	6000	1.64	0.046	5.25	0.207	33.5
BLD4015V12L-K	12	0.05	0.6	7000	1.97	0.056	7.15	0.281	37.6
BLD4015V12M-K	12	0.07	0.84	8000	2.39	0.068	10.58	0.417	41.2
BLD4015V12H-K	12	0.09	1.08	9000	2.7	0.076	13.7	0.539	44.7
BLD4015V12HR-K	12	0.13	1.56	10000	2.95	0.083	17.7	0.697	47
BLD4015V12HH-K	12	0.15	1.8	11000	3.33	0.094	22.57	0.888	49.4

DC Blower

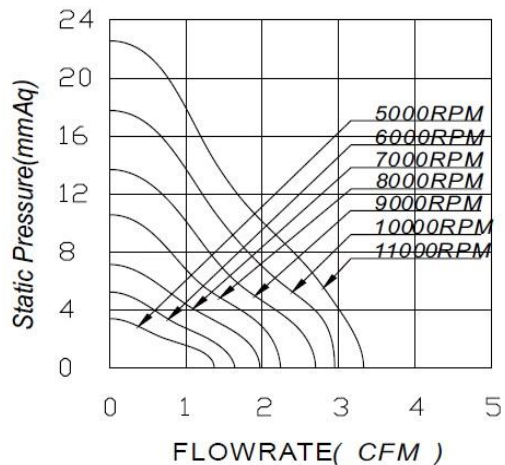
40x40x15mm

- Dimension:

Unit: mm



- Performance:



DC Blower

40x40x20mm

- Housing: Plastic (UL94V-0)
- Impeller: Plastic (UL94V-0)
- Bearing: Ball, Sleeve
- Certification: CE, RoHS
- Additional functions are optional



Model	Voltage	Current	Power	Speed	Air Flow		Pressure		Noise
	VDC	Amp	Watt	RPM	CFM	m3/min	mmH2O	inH2O	dB(A)
BLD4020V5LW-K	5	0.14	0.72	4500	2	0.057	2.64	0.104	27.4
BLD4020V5LR-K	5	0.16	0.8	5000	2.27	0.064	3.35	0.132	30.2
BLD4020V5L-K	5	0.24	1.2	5500	2.56	0.073	4.18	0.165	33.5
BLD4020V5M-K	5	0.29	1.44	6000	2.75	0.078	5.22	0.206	35.7
BLD4020V5H-K	5	0.34	1.68	6500	3.06	0.087	6.55	0.258	37.4
BLD4020V5HR-K	5	0.38	1.92	7500	3.54	0.1	9.13	0.359	40.9

DC Blower

40x40x20mm

- Housing: Plastic (UL94V-0)
- Impeller: Plastic (UL94V-0)
- Bearing: Ball, Sleeve
- Certification: CE, RoHS
- Additional functions are optional



Model	Voltage	Current	Power	Speed	Air Flow		Pressure		Noise
	VDC	Amp	Watt	RPM	CFM	m3/min	mmH2O	inH2O	dB(A)
BLD4020V12LW-K	12	0.06	0.72	4500	2	0.057	2.64	0.104	27.4
BLD4020V12LR-K	12	0.07	0.8	5000	2.27	0.064	3.35	0.132	30.2
BLD4020V12L-K	12	0.1	1.2	5500	2.56	0.073	4.18	0.165	33.5
BLD4020V12M-K	12	0.12	1.44	6000	2.75	0.078	5.22	0.206	35.7
BLD4020V12H-K	12	0.14	1.68	6500	3.06	0.087	6.55	0.258	37.4
BLD4020V12HR-K	12	0.16	1.92	7500	3.54	0.1	9.13	0.359	40.9
BLD4020V12HH-K	12	0.18	2.16	8500	4	0.113	12.16	0.479	44.5

DC Blower

40x40x20mm

- Housing: Plastic (UL94V-0)
- Impeller: Plastic (UL94V-0)
- Bearing: Ball, Sleeve
- Certification: CE, RoHS
- Additional functions are optional



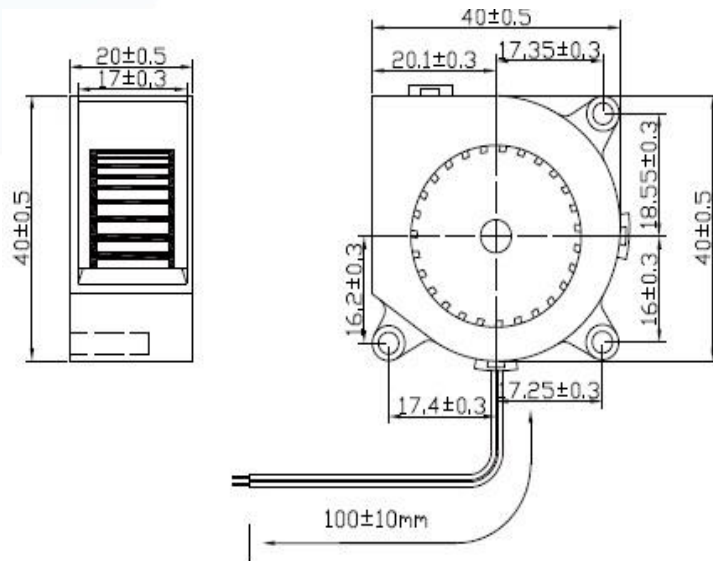
Model	Voltage	Current	Power	Speed	Air Flow		Pressure		Noise
	VDC	Amp	Watt	RPM	CFM	m3/min	mmH2O	inH2O	dB(A)
BLD4020V24LW-K	24	0.03	0.72	4500	2	0.057	2.64	0.104	27.4
BLD4020V24L-K	24	0.05	1.2	5500	2.56	0.073	4.18	0.165	33.5
BLD4020V24M-K	24	0.06	1.44	6000	2.75	0.078	5.22	0.206	35.7
BLD4020V24H-K	24	0.07	1.68	6500	3.06	0.087	6.55	0.258	37.4
BLD4020V24HR-K	24	0.08	1.92	7500	3.54	0.1	9.13	0.359	40.9
BLD4020V24HH-K	24	0.09	2.16	8500	4	0.113	12.16	0.479	44.5

DC Blower

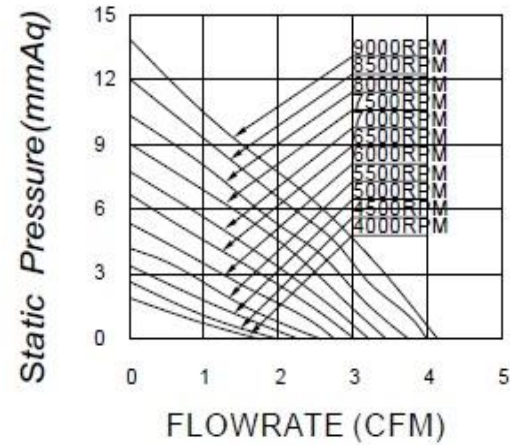
40x40x20mm

- Dimension:

Unit: mm



- Performance:



DC Blower

45x45x10mm

- Housing: Plastic (UL94V-0)
- Impeller: Plastic (UL94V-0)
- Bearing: Ball, Sleeve
- Certification: CE, RoHS
- Additional functions are optional



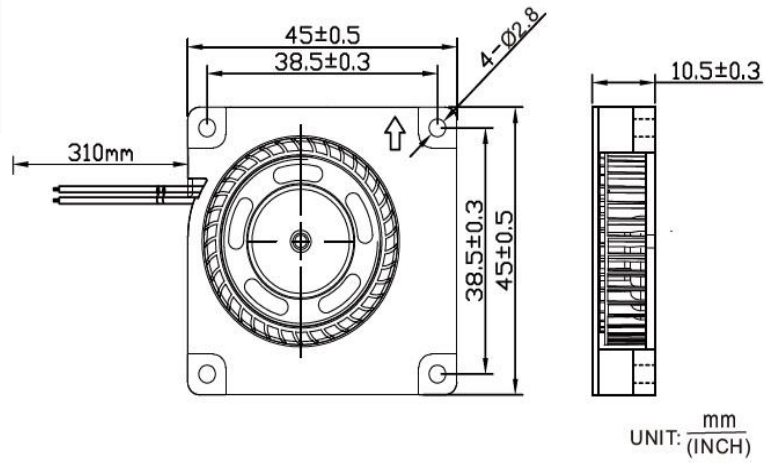
Model	Voltage	Current	Power	Speed	Air Flow		Pressure		Noise
	VDC	Amp	Watt	RPM	CFM	m3/min	mmH2O	inH2O	dB(A)
BLD4510V5H-K	5	0.5	2.5	8500	3.7	0.11	23.3	0.92	41.8
BLD4510V12H-K	12	0.21	2.5	8500	3.7	0.11	23.3	0.92	41.8

DC Blower

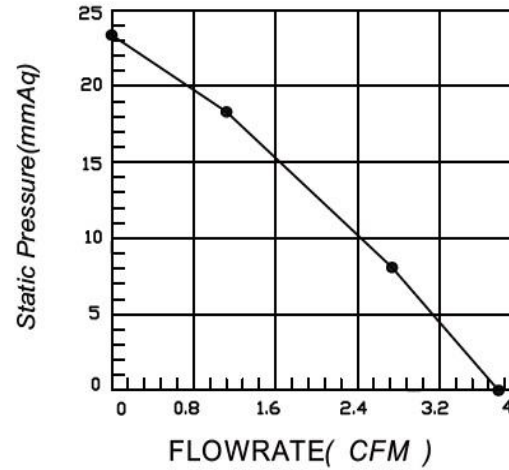
45x45x10mm

- Dimension:

Unit: mm



- Performance:



DC Blower

50x50x10mm

- Housing: Plastic (UL94V-0)
- Impeller: Plastic (UL94V-0)
- Bearing: Ball, Sleeve
- Certification: CE, RoHS
- Additional functions are optional



Model	Voltage	Current	Power	Speed	Air Flow		Pressure		Noise
	VDC	Amp	Watt	RPM	CFM	m3/min	mmH2O	inH2O	dB(A)
BLD5010V5LW-K	5	0.05	0.25	2500	1.31	0.03	1.34	0.053	18.4
BLD5010V5LR-K	5	0.06	0.35	3000	1.56	0.044	2.25	0.089	21
BLD5010V5L-K	5	0.12	0.60	3500	1.95	0.055	3.49	0.137	22.6
BLD5010V5M-K	5	0.16	0.80	4000	2.23	0.063	4.73	0.172	25.1
BLD5010V5H-K	5	0.26	1.30	4500	2.56	0.072	6.45	0.254	28.1
BLD5010V5HR-K	5	0.37	1.85	5000	2.83	0.08	8.64	0.34	32.1

DC Blower

50x50x10mm

- Housing: Plastic (UL94V-0)
- Impeller: Plastic (UL94V-0)
- Bearing: Ball, Sleeve
- Certification: CE, RoHS
- Additional functions are optional



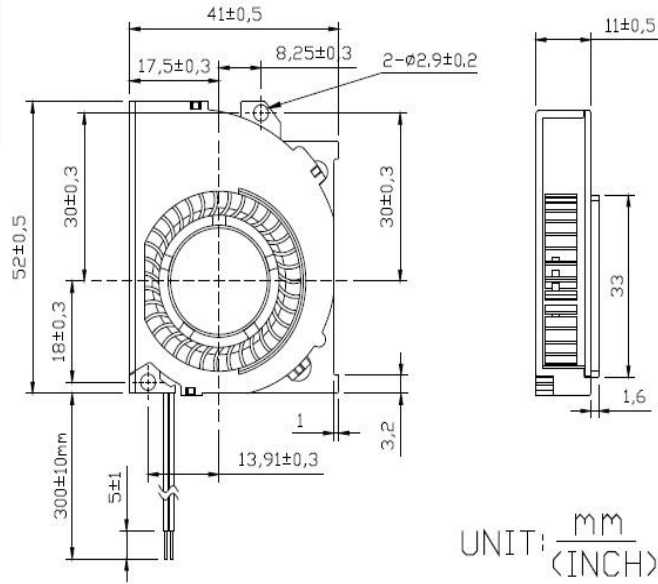
Model	Voltage	Current	Power	Speed	Air Flow		Pressure		Noise
	VDC	Amp	Watt	RPM	CFM	m3/min	mmH2O	inH2O	dB(A)
BLD5010V12LW-K	12	0.02	0.24	2500	1.31	0.03	1.34	0.053	18.4
BLD5010V12LR-K	12	0.03	0.39	3000	1.56	0.044	2.25	0.089	21
BLD5010V12L-K	12	0.05	0.60	3500	1.95	0.055	3.49	0.137	22.6
BLD5010V12M-K	12	0.07	0.86	4000	2.23	0.063	4.73	0.172	25.1
BLD5010V12H-K	12	0.11	1.32	4500	2.56	0.072	6.45	0.254	28.1
BLD5010V12HR-K	12	0.16	1.92	5000	2.83	0.08	8.64	0.34	32.1

DC Blower

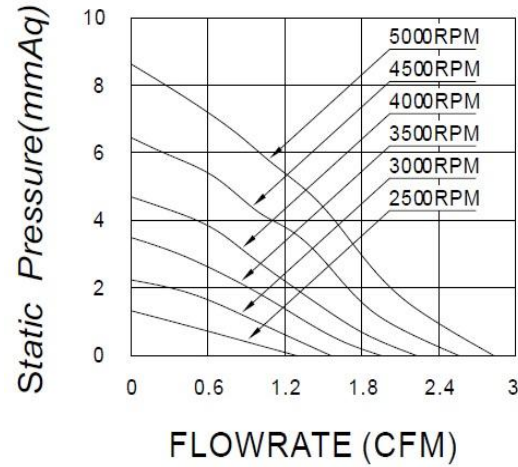
50x50x10mm

- Dimension:

Unit: mm



- Performance:



DC Blower

50x50x10mm - B Type

- Housing: Plastic (UL94V-0)
- Impeller: Plastic (UL94V-0)
- Bearing: Ball, Sleeve
- Certification: CE, RoHS
- Additional functions are optional



Model	Voltage	Current	Power	Speed	Air Flow		Pressure		Noise
	VDC	Amp	Watt	RPM	CFM	m3/min	mmH2O	inH2O	dB(A)
BLD5010V5XL-K2	5	0.03	0.15	2500	1.3	0.037	1.5	0.059	21.2
BLD5010V5LW-K2	5	0.06	0.3	3500	1.8	0.051	3.4	0.134	24.6
BLD5010V5LR-K2	5	0.06	0.3	4000	2	0.057	3.6	0.142	25.2
BLD5010V5L-K2	5	0.11	0.55	4500	2.3	0.065	5.6	0.221	27

DC Blower

50x50x10mm - B Type

- Housing: Plastic (UL94V-0)
- Impeller: Plastic (UL94V-0)
- Bearing: Ball, Sleeve
- Certification: CE, RoHS
- Additional functions are optional



Model	Voltage	Current	Power	Speed	Air Flow		Pressure		Noise
	VDC	Amp	Watt	RPM	CFM	m3/min	mmH2O	inH2O	dB(A)
BLD5010V5M-K2	5	0.11	0.55	5000	2.5	0.071	6.1	0.24	28.9
BLD5010V5H-K2	5	0.14	0.7	5500	2.7	0.076	7.5	0.295	30.9
BLD5010V5HR-K2	5	0.23	1.15	6000	2.9	0.083	9.4	0.37	32.1
BLD5010V5HH-K2	5	0.24	1.2	6500	3.3	0.093	11.4	0.449	33.7

DC Blower

50x50x10mm - B Type

- Housing: Plastic (UL94V-0)
- Impeller: Plastic (UL94V-0)
- Bearing: Ball, Sleeve
- Certification: CE, RoHS
- Additional functions are optional



Model	Voltage	Current	Power	Speed	Air Flow		Pressure		Noise
	VDC	Amp	Watt	RPM	CFM	m3/min	mmH2O	inH2O	dB(A)
BLD5010V12XL-K2	12	0.02	0.24	2500	1.3	0.037	1.5	0.059	21.2
BLD5010V12LW-K2	12	0.03	0.36	3500	1.8	0.051	3.4	0.134	24.6
BLD5010V12LR-K2	12	0.04	0.48	4000	2	0.057	3.6	0.142	25.2
BLD5010V12L-K2	12	0.06	0.72	4500	2.3	0.065	5.6	0.221	27

DC Blower

50x50x10mm - B Type

- Housing: Plastic (UL94V-0)
- Impeller: Plastic (UL94V-0)
- Bearing: Ball, Sleeve
- Certification: CE, RoHS
- Additional functions are optional



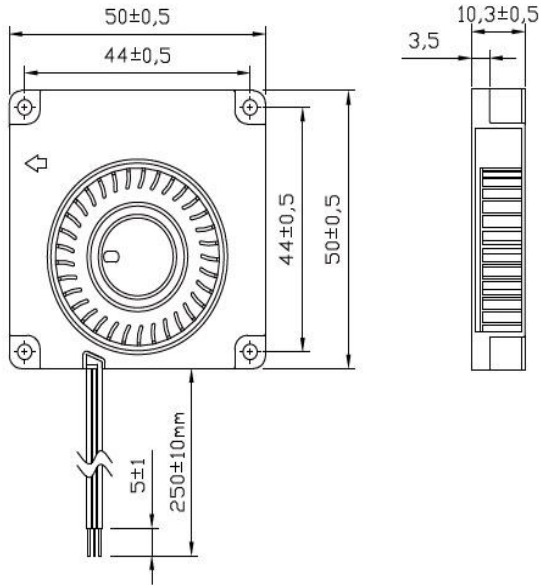
Model	Voltage	Current	Power	Speed	Air Flow		Pressure		Noise
	VDC	Amp	Watt	RPM	CFM	m3/min	mmH2O	inH2O	dB(A)
BLD5010V12M-K2	12	0.06	0.72	5000	2.5	0.071	6.1	0.24	28.9
BLD5010V12H-K2	12	0.1	1.2	5500	2.7	0.076	7.5	0.295	30.9
BLD5010V12HR-K2	12	0.13	1.56	6000	2.9	0.083	9.4	0.37	32.1
BLD5010V12HH-K2	12	0.14	1.68	6500	3.3	0.093	11.4	0.449	33.7

DC Blower

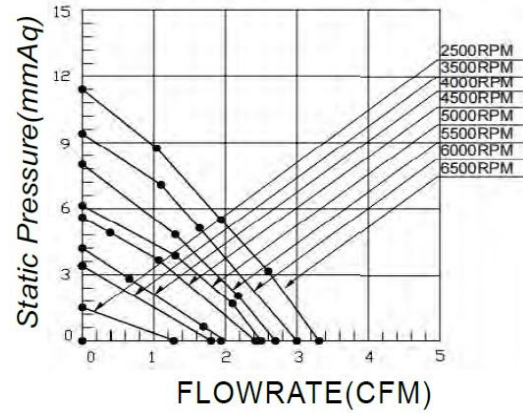
50x50x10mm - B Type

- Dimension:

Unit: mm



- Performance:



DC Blower

50x50x15mm

- Housing: Plastic (UL94V-0)
- Impeller: Plastic (UL94V-0)
- Bearing: Ball, Sleeve
- Certification: CE, RoHS
- Additional functions are optional



Model	Voltage	Current	Power	Speed	Air Flow		Pressure		Noise
	VDC	Amp	Watt	RPM	CFM	m3/min	mmH2O	inH2O	dB(A)
BLD5015V5LW-K	5	0.34	1.68	4000	2.81	0.08	7.56	0.298	34.3
BLD5015V5LR-K	5	0.43	2.16	4500	3.15	0.089	9.69	0.381	37.1
BLD5015V5L-K	5	0.53	2.64	5000	3.54	0.1	12.57	0.495	39.6
BLD5015V5M-K	5	0.62	3.12	5500	3.96	0.112	16.12	0.635	42.5
BLD5015V5H-K	5	0.72	3.6	6000	4.23	0.12	19.38	0.763	44.3
BLD5015V5HR-K	5	0.768	3.84	6500	4.71	0.133	23.98	0.944	46.3

DC Blower

50x50x15mm

- Housing: Plastic (UL94V-0)
- Impeller: Plastic (UL94V-0)
- Bearing: Ball, Sleeve
- Certification: CE, RoHS
- Additional functions are optional



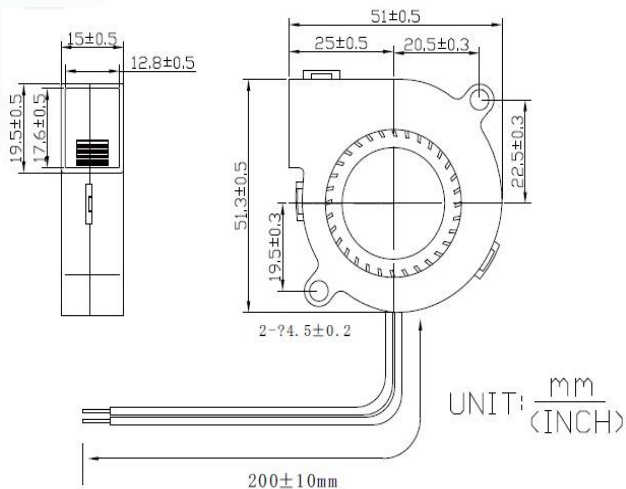
Model	Voltage	Current	Power	Speed	Air Flow		Pressure		Noise
	VDC	Amp	Watt	RPM	CFM	m3/min	mmH2O	inH2O	dB(A)
BLD5015V12LW-K	12	0.14	1.68	4000	2.81	0.08	7.56	0.298	34.3
BLD5015V12LR-K	12	0.18	2.16	4500	3.15	0.089	9.69	0.381	37.1
BLD5015V12L-K	12	0.22	2.64	5000	3.54	0.1	12.57	0.495	39.6
BLD5015V12M-K	12	0.26	3.12	5500	3.96	0.112	16.12	0.635	42.5
BLD5015V12H-K	12	0.3	3.6	6000	4.23	0.12	19.38	0.763	44.3
BLD5015V12HR-K	12	0.32	3.84	6500	4.71	0.133	23.98	0.944	46.3

DC Blower

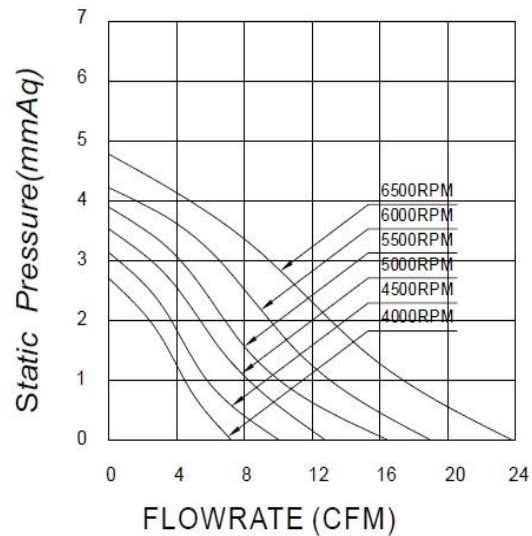
50x50x15mm

- Dimension:

Unit: mm



- Performance:



DC Blower

50x50x15mm - B Type

- Housing: Plastic (UL94V-0)
- Impeller: Plastic (UL94V-0)
- Bearing: Ball, Sleeve
- Certification: CE, RoHS
- Additional functions are optional



Model	Voltage	Current	Power	Speed	Air Flow		Pressure		Noise
	VDC	Amp	Watt	RPM	CFM	m3/min	mmH2O	inH2O	dB(A)
BLD5015V5LX-K2	5	0.1	0.5	3000	1.83	0.052	2.49	0.098	25.4
BLD5015V5XL-K2	5	0.12	0.6	3500	2.16	0.061	3.89	0.153	27.9
BLD5015V5LW-K2	5	0.16	0.8	4000	2.57	0.073	5.38	0.212	32
BLD5015V5LR-K2	5	0.2	1.0	4500	2.89	0.082	6.99	0.275	35.4
BLD5015V5L-K2	5	0.22	1.1	5000	3.22	0.091	9.11	0.359	38.7

DC Blower

50x50x15mm - B Type

- Housing: Plastic (UL94V-0)
- Impeller: Plastic (UL94V-0)
- Bearing: Ball, Sleeve
- Certification: CE, RoHS
- Additional functions are optional



Model	Voltage	Current	Power	Speed	Air Flow		Pressure		Noise
	VDC	Amp	Watt	RPM	CFM	m3/min	mmH2O	inH2O	dB(A)
BLD5015V5M-K2	5	0.24	1.2	5500	3.55	0.1	11.09	0.437	40.7
BLD5015V5H-K2	5	0.26	1.3	6000	3.92	0.111	13.89	0.547	43
BLD5015V5HR-K2	5	0.28	1.4	6500	4.19	0.119	17.74	0.698	45.1
BLD5015V5HH-K2	5	0.3	1.5	7000	4.33	0.123	19.72	0.776	47.1
BLD5015V5XH-K2	5	0.32	1.6	7500	4.9	0.139	23.79	0.937	48.5

DC Blower

50x50x15mm - B Type

- Housing: Plastic (UL94V-0)
- Impeller: Plastic (UL94V-0)
- Bearing: Ball, Sleeve
- Certification: CE, RoHS
- Additional functions are optional



Model	Voltage	Current	Power	Speed	Air Flow		Pressure		Noise
	VDC	Amp	Watt	RPM	CFM	m3/min	mmH2O	inH2O	dB(A)
BLD5015V12LX-K2	12	0.05	0.5	3000	1.83	0.052	2.49	0.098	25.4
BLD5015V12XL-K2	12	0.06	0.6	3500	2.16	0.061	3.89	0.153	27.9
BLD5015V12LW-K2	12	0.08	0.8	4000	2.57	0.073	5.38	0.212	32
BLD5015V12LR-K2	12	0.1	1.0	4500	2.89	0.082	6.99	0.275	35.4
BLD5015V12L-K2	12	0.11	1.1	5000	3.22	0.091	9.11	0.359	38.7

DC Blower

50x50x15mm - B Type

- Housing: Plastic (UL94V-0)
- Impeller: Plastic (UL94V-0)
- Bearing: Ball, Sleeve
- Certification: CE, RoHS
- Additional functions are optional



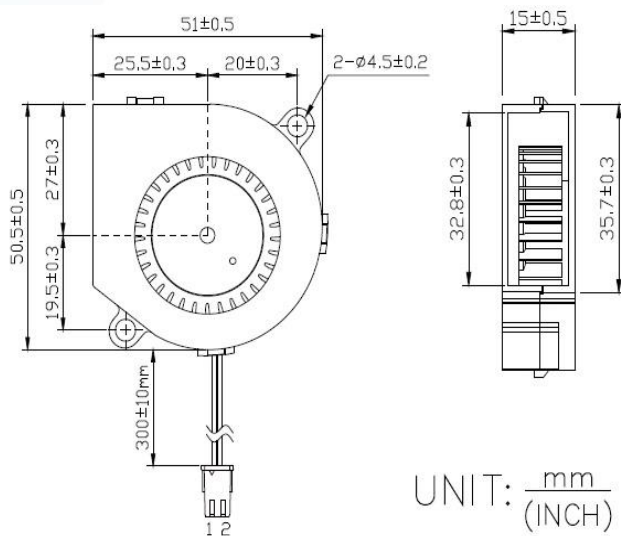
Model	Voltage	Current	Power	Speed	Air Flow		Pressure		Noise
	VDC	Amp	Watt	RPM	CFM	m3/min	mmH2O	inH2O	dB(A)
BLD5015V12M-K2	12	0.12	1.2	5500	3.55	0.1	11.09	0.437	40.7
BLD5015V12H-K2	12	0.13	1.3	6000	3.92	0.111	13.89	0.547	43
BLD5015V12HR-K2	12	0.14	1.4	6500	4.19	0.119	17.74	0.698	45.1
BLD5015V12HH-K2	12	0.15	1.5	7000	4.33	0.123	19.72	0.776	47.1
BLD5015V12XH-K2	12	0.16	1.6	7500	4.9	0.139	23.79	0.937	48.5

DC Blower

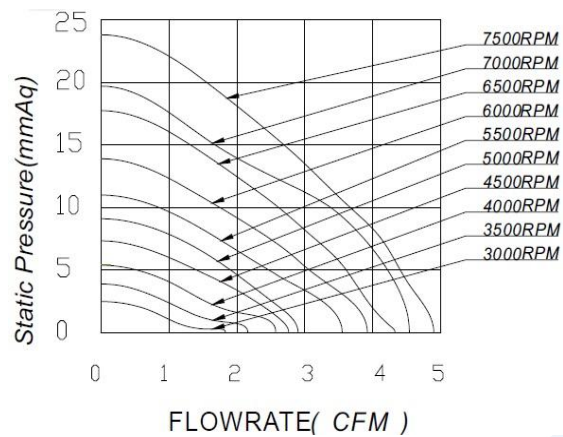
50x50x15mm - B Type

• Dimension:

Unit: mm



• Performance:



DC Blower

50x50x20mm

- Housing: Plastic (UL94V-0)
- Impeller: Plastic (UL94V-0)
- Bearing: Ball, Sleeve
- Certification: CE, RoHS
- Additional functions are optional



Model	Voltage	Current	Power	Speed	Air Flow		Pressure		Noise
	VDC	Amp	Watt	RPM	CFM	m3/min	mmH2O	inH2O	dB(A)
BLD5020V5L-K	5	0.34	1.68	4000	2.13	0.06	4	0.157	31.5
BLD5020V5M-K	5	0.43	2.16	4500	3.04	0.086	6.68	0.263	34.2
BLD5020V5H-K	5	0.53	2.64	5000	3.4	0.096	8.56	0.337	38.9
BLD5020V12LR-K	12	0.14	1.68	4000	2.13	0.06	4	0.157	31.5
BLD5020V12L-K	12	0.18	2.16	4500	3.04	0.086	6.68	0.263	34.2
BLD5020V12M-K	12	0.22	2.64	5000	3.4	0.096	8.56	0.337	38.9
BLD5020V12H-K	12	0.26	3.12	5500	3.6	0.102	10.81	0.426	39.9
BLD5020V12HR-K	12	0.3	3.6	6000	3.79	0.107	13.33	0.525	42.7

DC Blower

50x50x20mm

- Housing: Plastic (UL94V-0)
- Impeller: Plastic (UL94V-0)
- Bearing: Ball, Sleeve
- Certification: CE, RoHS
- Additional functions are optional



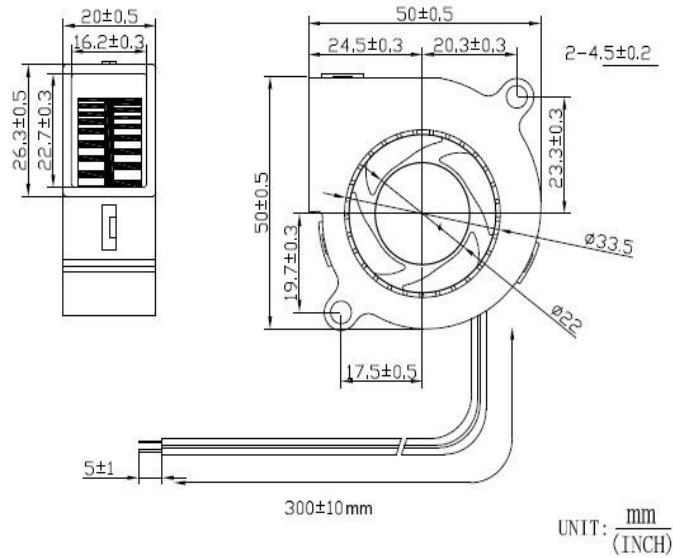
Model	Voltage	Current	Power	Speed	Air Flow		Pressure		Noise
	VDC	Amp	Watt	RPM	CFM	m3/min	mmH2O	inH2O	dB(A)
BLD5020V24LR-K	24	0.07	1.68	4000	2.13	0.06	4	0.157	31.5
BLD5020V24L-K	24	0.09	2.16	4500	3.04	0.086	6.68	0.263	34.2
BLD5020V24M-K	24	0.11	2.64	5000	3.4	0.096	8.56	0.337	38.9
BLD5020V24H-K	24	0.13	3.12	5500	3.6	0.102	10.81	0.426	39.9
BLD5020V24HR-K	24	0.15	3.6	6000	3.79	0.107	13.33	0.525	42.7

DC Blower

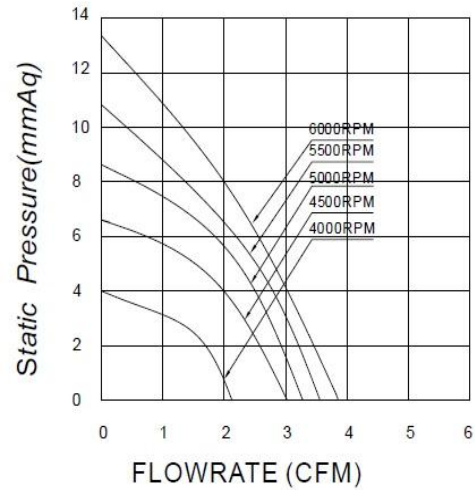
50x50x20mm

- Dimension:

Unit: mm



- Performance:



DC Blower

50x50x25mm

- Housing: Plastic (UL94V-0)
- Impeller: Plastic (UL94V-0)
- Bearing: Ball, Sleeve
- Certification: CE, RoHS
- Additional functions are optional



Model	Voltage	Current	Power	Speed	Air Flow		Pressure		Noise
	VDC	Amp	Watt	RPM	CFM	m3/min	mmH2O	inH2O	dB(A)
BLD5025V5LR-K	5	0.16	0.8	3000	3.09	0.087	5.22	0.599	34.5
BLD5025V5L-K	5	0.22	1.1	3500	3.73	0.105	7.62	0.301	37.5
BLD5025V5M-K	5	0.35	1.75	4000	3.99	0.113	11.24	0.442	40.3
BLD5025V5H-K	5	0.63	3.15	5000	5.3	0.151	20.801	0.819	46.2
BLD5025V12LR-K	12	0.07	0.84	3000	3.09	0.087	5.22	0.599	34.5
BLD5025V12L-K	12	0.1	1.2	3500	3.73	0.105	7.62	0.301	37.5
BLD5025V12M-K	12	0.15	1.8	4000	3.99	0.113	11.24	0.442	40.3
BLD5025V12H-K	12	0.26	3.12	5000	5.3	0.151	20.801	0.819	46.2

DC Blower

50x50x25mm

- Housing: Plastic (UL94V-0)
- Impeller: Plastic (UL94V-0)
- Bearing: Ball, Sleeve
- Certification: CE, RoHS
- Additional functions are optional



Model	Voltage	Current	Power	Speed	Air Flow		Pressure		Noise
	VDC	Amp	Watt	RPM	CFM	m3/min	mmH2O	inH2O	dB(A)
BLD5025V24LR-K	24	0.035	0.84	3000	3.09	0.087	5.22	0.599	34.5
BLD5025V24L-K	24	0.05	1.2	3500	3.73	0.105	7.62	0.301	37.5
BLD5025V24M-K	24	0.075	1.8	4000	3.99	0.113	11.24	0.442	40.3
BLD5025V24H-K	24	0.13	3.12	5000	5.3	0.151	20.801	0.819	46.2

DC Blower

60x60x15mm

- Housing: Plastic (UL94V-0)
- Impeller: Plastic (UL94V-0)
- Bearing: Ball, Sleeve
- Certification: CE, RoHS
- Additional functions are optional



Model	Voltage	Current	Power	Speed	Air Flow		Pressure		Noise
	VDC	Amp	Watt	RPM	CFM	m3/min	mmH2O	inH2O	dB(A)
BLD6015V12LW-K	12	0.1	1.2	2500	2.24	0.063	3.31	0.13	24.4
BLD6015V12LR-K	12	0.14	1.68	3000	2.78	0.079	5.12	0.201	29.5
BLD6015V12L-K	12	0.22	2.64	3500	3.16	0.09	7.13	0.28	33.6
BLD6015V12M-K	12	0.3	3.6	4000	3.67	0.104	9.72	0.383	36.9
BLD6015V12H-K	12	0.35	4.2	4500	4.13	0.117	12.7	0.5	40.5
BLD6015V12HR-K	12	0.4	4.8	5000	4.54	0.128	16.62	0.654	43.5

DC Blower

60x60x15mm

- Housing: Plastic (UL94V-0)
- Impeller: Plastic (UL94V-0)
- Bearing: Ball, Sleeve
- Certification: CE, RoHS
- Additional functions are optional



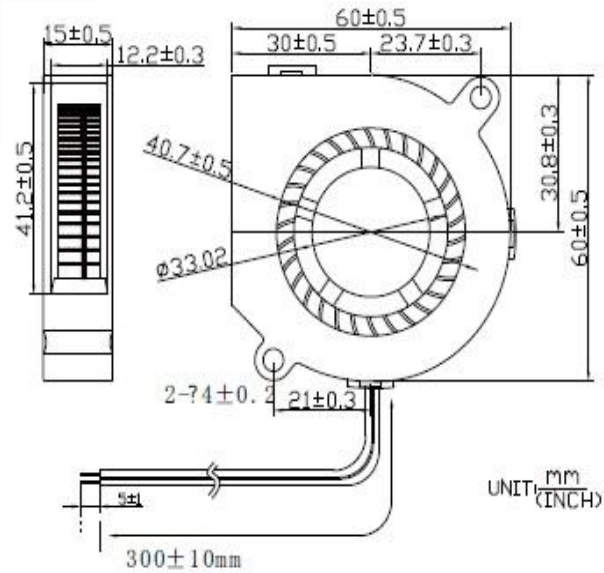
Model	Voltage	Current	Power	Speed	Air Flow		Pressure		Noise
	VDC	Amp	Watt	RPM	CFM	m3/min	mmH2O	inH2O	dB(A)
BLD6015V24LW-K	24	0.05	1.2	2500	2.24	0.063	3.31	0.13	24.4
BLD6015V24LR-K	24	0.07	1.68	3000	2.78	0.079	5.12	0.201	29.5
BLD6015V24L-K	24	0.11	2.64	3500	3.16	0.09	7.13	0.28	33.6
BLD6015V24M-K	24	0.15	3.6	4000	3.67	0.104	9.72	0.383	36.9
BLD6015V24H-K	24	0.16	3.84	4500	4.13	0.117	12.7	0.5	40.5
BLD6015V24HR-K	24	0.18	4.32	5000	4.54	0.128	16.62	0.654	43.5

DC Blower

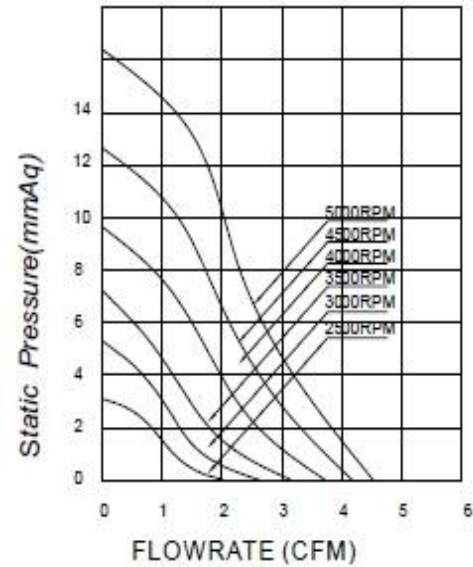
60x60x15mm

- Dimension:

Unit: mm



- Performance:



DC Blower

60x60x25mm

- Housing: Plastic (UL94V-0)
- Impeller: Plastic (UL94V-0)
- Bearing: Ball Type
- Certification: CE, RoHS
- Additional functions are optional



Model	Voltage	Current	Power	Speed	Air Flow		Pressure		Noise
	VDC	Amp	Watt	RPM	CFM	m3/min	mmH2O	inH2O	dB(A)
BLD6025V12LW-K	12	0.1	1.2	3000	5.63	0.159	7.03	0.277	31
BLD6025V12LR-K	12	0.14	1.68	3300	6.22	0.176	10.27	0.404	33
BLD6025V12L-K	12	0.16	1.92	3600	6.7	0.19	10.94	0.431	34.7
BLD6025V12M-K	12	0.2	2.4	4000	7.75	0.219	14.48	0.57	39.7
BLD6025V12H-K	12	0.25	3	4500	8.65	0.245	18.95	0.746	42.5
BLD6025V12HR-K	12	0.3	3.6	5000	9.74	0.276	25.49	1.004	46.4

DC Blower

60x60x25mm

- Housing: Plastic (UL94V-0)
- Impeller: Plastic (UL94V-0)
- Bearing: Ball Type
- Certification: CE, RoHS
- Additional functions are optional



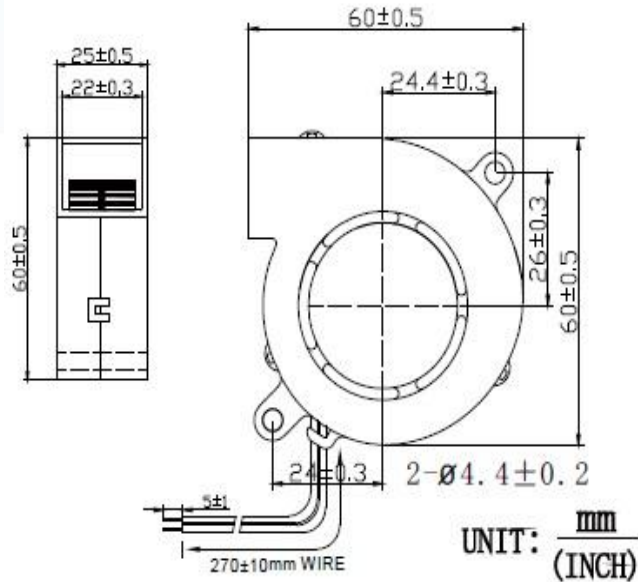
Model	Voltage	Current	Power	Speed	Air Flow		Pressure		Noise
	VDC	Amp	Watt	RPM	CFM	m3/min	mmH2O	inH2O	dB(A)
BLD6025V24LW-K	24	0.05	1.2	3000	5.63	0.159	7.03	0.277	31
BLD6025V24LR-K	24	0.07	1.68	3300	6.22	0.176	10.27	0.404	33
BLD6025V24L-K	24	0.08	1.92	3600	6.7	0.19	10.94	0.431	34.7
BLD6025V24M-K	24	0.1	2.4	4000	7.75	0.219	14.48	0.57	39.7
BLD6025V24H-K	24	0.125	3	4500	8.65	0.245	18.95	0.746	42.5
BLD6025V24HR-K	24	0.15	3.6	5000	9.74	0.276	25.49	1.004	46.4

DC Blower

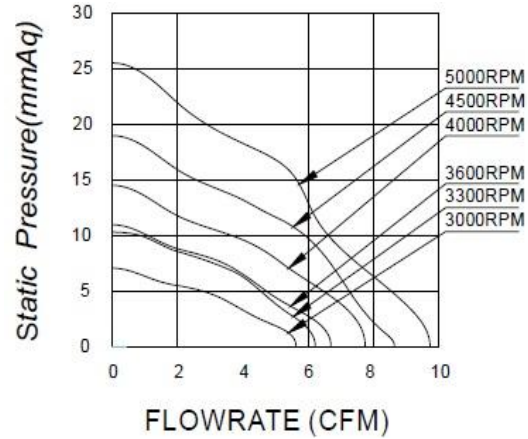
60x60x25mm

- Dimension:

Unit: mm



- Performance:



DC Blower

60x60x28mm

- Housing: Plastic (UL94V-0)
- Impeller: Plastic (UL94V-0)
- Bearing: Ball Type
- Certification: CE, RoHS
- Additional functions are optional



Model	Voltage	Current	Power	Speed	Air Flow		Pressure		Noise
	VDC	Amp	Watt	RPM	CFM	m3/min	mmH2O	inH2O	dB(A)
BLD6028V5LW-K	5	0.144	0.72	3000	3.79	0.107	3.91	0.155	29.4
BLD6028V5LR-K	5	0.192	0.96	3500	4.25	0.12	5.54	0.218	32.6
BLD6028V5L-K	5	0.24	1.2	4000	4.94	0.14	7.79	0.307	36.6
BLD6028V5M-K	5	0.336	1.68	4500	5.52	0.156	10.29	0.405	38.8
BLD6028V5H-K	5	0.432	2.16	5000	6.32	0.179	13.76	0.542	41.3
BLD6028V5HR-K	5	0.48	2.4	5500	6.99	0.199	17.67	0.696	44.3

DC Blower

60x60x28mm

- Housing: Plastic (UL94V-0)
- Impeller: Plastic (UL94V-0)
- Bearing: Ball Type
- Certification: CE, RoHS
- Additional functions are optional



Model	Voltage	Current	Power	Speed	Air Flow		Pressure		Noise
	VDC	Amp	Watt	RPM	CFM	m3/min	mmH2O	inH2O	dB(A)
BLD6028V12LW-K	12	0.06	0.72	3000	3.79	0.107	3.91	0.155	29.4
BLD6028V12LR-K	12	0.08	0.96	3500	4.25	0.12	5.54	0.218	32.6
BLD6028V12L-K	12	0.1	1.2	4000	4.94	0.14	7.79	0.307	36.6
BLD6028V12M-K	12	0.14	1.68	4500	5.52	0.156	10.29	0.405	38.8
BLD6028V12H-K	12	0.18	2.16	5000	6.32	0.179	13.76	0.542	41.3
BLD6028V12HR-K	12	0.2	2.4	5500	6.99	0.199	17.67	0.696	44.3

DC Blower

60x60x28mm

- Housing: Plastic (UL94V-0)
- Impeller: Plastic (UL94V-0)
- Bearing: Ball Type
- Certification: CE, RoHS
- Additional functions are optional



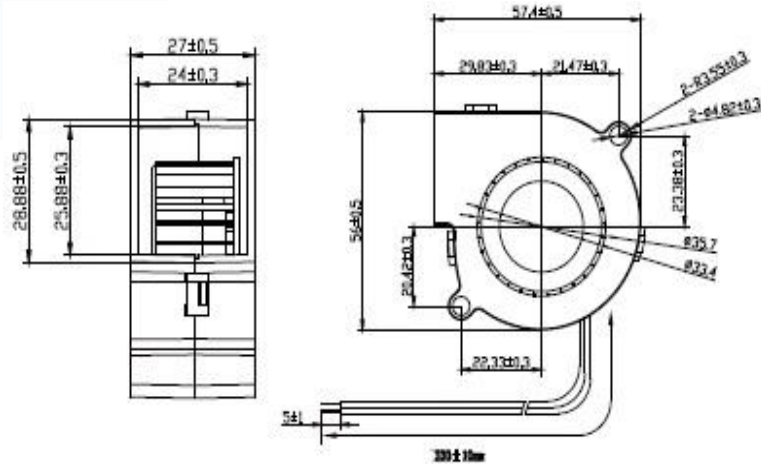
Model	Voltage	Current	Power	Speed	Air Flow		Pressure		Noise
	VDC	Amp	Watt	RPM	CFM	m3/min	mmH2O	inH2O	dB(A)
BLD6028V24LW-K	24	0.03	0.72	3000	3.79	0.107	3.91	0.155	29.4
BLD6028V24LR-K	24	0.04	0.96	3500	4.25	0.12	5.54	0.218	32.6
BLD6028V24L-K	24	0.05	1.2	4000	4.94	0.14	7.79	0.307	36.6
BLD6028V24M-K	24	0.07	1.68	4500	5.52	0.156	10.29	0.405	38.8
BLD6028V24H-K	24	0.09	2.16	5000	6.32	0.179	13.76	0.542	41.3
BLD6028V24HR-K	24	0.1	2.4	5500	6.99	0.199	17.67	0.696	44.3

DC Blower

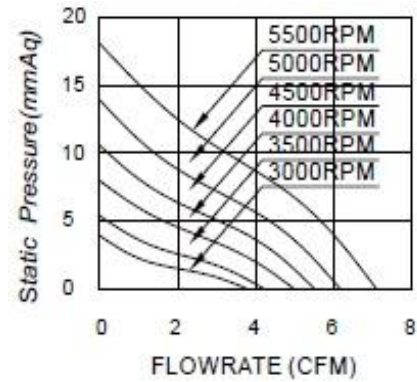
60x60x28mm

- Dimension:

Unit: mm



- Performance:



DC Blower

70x70x15mm

- Housing: Plastic (UL94V-0)
- Impeller: Plastic (UL94V-0)
- Bearing: Ball Type
- Certification: CE, RoHS
- Additional functions are optional



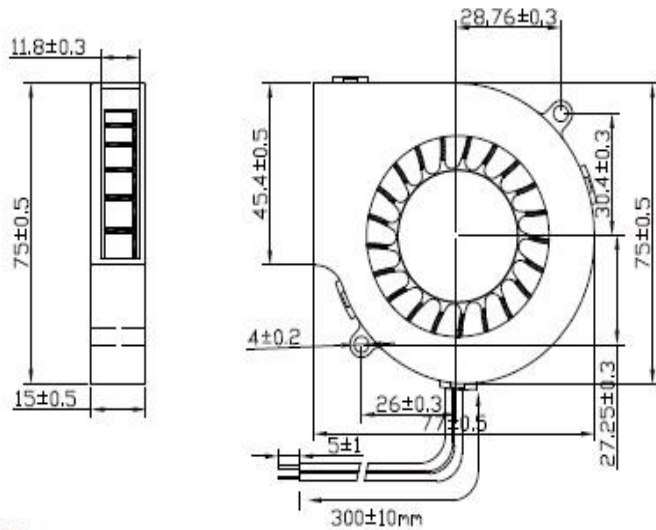
Model	Voltage	Current	Power	Speed	Air Flow		Pressure		Noise
	VDC	Amp	Watt	RPM	CFM	m3/min	mmH2O	inH2O	dB(A)
BLD7015V12LR-K	12	0.1	1.2	2000	4.2	0.119	5.29	0.208	30.2
BLD7015V12L-K	12	0.14	1.68	2500	5.18	0.147	9.3	0.336	35.7
BLD7015V12M-K	12	0.22	2.64	3000	6.27	0.178	13.81	0.544	39.6
BLD7015V12H-K	12	0.3	3.6	3500	7.21	0.204	20.66	0.813	44.4
BLD7015V24LR-K	24	0.05	1.2	2000	4.2	0.119	5.29	0.208	30.2
BLD7015V24L-K	24	0.07	1.68	2500	5.18	0.147	9.3	0.336	35.7
BLD7015V24M-K	24	0.11	2.64	3000	6.27	0.178	13.81	0.544	39.6
BLD7015V24H-K	24	0.15	3.6	3500	7.21	0.204	20.66	0.813	44.4

DC Blower

70x70x15mm

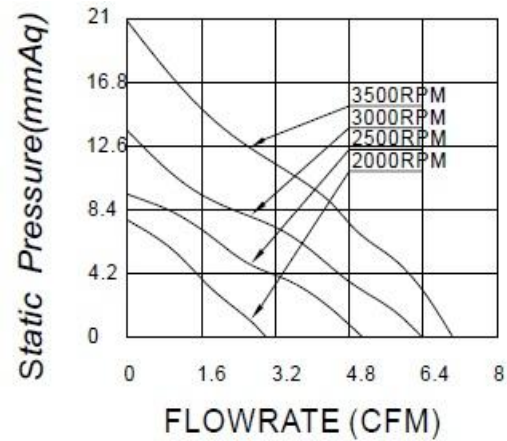
- Dimension:

Unit: mm



Unit: mm

- Performance:



DC Blower

75x75x25mm

- Housing: Plastic (UL94V-0)
- Impeller: Plastic (UL94V-0)
- Bearing: Ball Type
- Certification: CE, RoHS
- Additional functions are optional



Model	Voltage	Current	Power	Speed	Air Flow		Pressure		Noise
	VDC	Amp	Watt	RPM	CFM	m3/min	mmH2O	inH2O	dB(A)
BLD7525V12LW-K	12	0.04	0.48	2000	5.77	0.163	3.65	0.143	31.7
BLD7525V12LR-K	12	0.1	1.20	2500	7.27	0.205	6.22	0.244	35.4
BLD7525V12L-K	12	0.17	2.04	3000	9.11	0.257	10.75	0.423	40.5
BLD7525V12M-K	12	0.26	3.12	3500	10.6	0.301	15.75	0.62	44.3
BLD7525V12H-K	12	0.43	5.16	4000	12.2	0.347	22.71	0.894	47.7
BLD7525V12HR-K	12	0.64	7.68	4500	13.9	0.393	30.97	1.219	51.7

DC Blower

75x75x25mm

- Housing: Plastic (UL94V-0)
- Impeller: Plastic (UL94V-0)
- Bearing: Ball Type
- Certification: CE, RoHS
- Additional functions are optional



Model	Voltage	Current	Power	Speed	Air Flow		Pressure		Noise
	VDC	Amp	Watt	RPM	CFM	m3/min	mmH2O	inH2O	dB(A)
BLD7525V24LW-K	24	0.02	0.48	2000	5.77	0.163	3.65	0.143	31.7
BLD7525V24LR-K	24	0.05	1.20	2500	7.27	0.205	6.22	0.244	35.4
BLD7525V24L-K	24	0.09	2.16	3000	9.11	0.257	10.75	0.423	40.5
BLD7525V24M-K	24	0.13	3.12	3500	10.6	0.301	15.75	0.62	44.3
BLD7525V24H-K	24	0.22	5.28	4000	12.2	0.347	22.71	0.894	47.7
BLD7525V24HR-K	24	0.32	7.68	4500	13.9	0.393	30.97	1.219	51.7

DC Blower

75x75x30mm

- Housing: Plastic (UL94V-0)
- Impeller: Plastic (UL94V-0)
- Bearing: Ball Type
- Certification: CE, RoHS
- Additional functions are optional



Model	Voltage	Current	Power	Speed	Air Flow		Pressure		Noise
	VDC	Amp	Watt	RPM	CFM	m3/min	mmH2O	inH2O	dB(A)
BLD7530V12LR-K	12	0.16	1.92	2000	6.37	0.18	2.65	0.104	33.2
BLD7530V12L-K	12	0.26	3.12	2500	8.87	0.251	5.53	0.218	37.5
BLD7530V12M-K	12	0.34	4.08	3000	9.25	0.264	7.26	0.286	42.7
BLD7530V12H-K	12	0.46	5.52	3500	10.8	0.307	11.25	0.443	45.6
BLD7530V12HR-K	12	0.6	7.2	4000	12.9	0.37	14.37	0.57	46.8

DC Blower

75x75x30mm

- Housing: Plastic (UL94V-0)
- Impeller: Plastic (UL94V-0)
- Bearing: Ball Type
- Certification: CE, RoHS
- Additional functions are optional



Model	Voltage	Current	Power	Speed	Air Flow		Pressure		Noise
	VDC	Amp	Watt	RPM	CFM	m3/min	mmH2O	inH2O	dB(A)
BLD7530V24LR-K	24	0.08	1.92	2000	6.37	0.18	2.65	0.104	33.2
BLD7530V24L-K	24	0.13	3.12	2500	8.87	0.251	5.53	0.218	37.5
BLD7530V24M-K	24	0.17	4.08	3000	9.25	0.264	7.26	0.286	42.7
BLD7530V24H-K	24	0.23	5.52	3500	10.8	0.307	11.25	0.443	45.6
BLD7530V24HR-K	24	0.3	7.2	4000	12.9	0.37	14.37	0.57	46.8

DC Blower

75x75x30mm

- Housing: Plastic (UL94V-0)
- Impeller: Plastic (UL94V-0)
- Bearing: Ball Type
- Certification: CE, RoHS
- Additional functions are optional



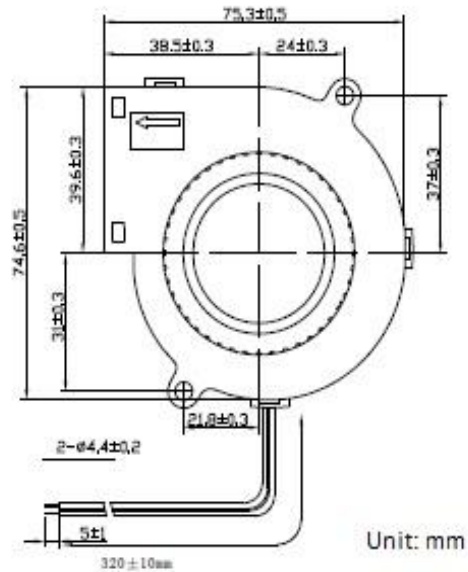
Model	Voltage	Current	Power	Speed	Air Flow		Pressure		Noise
	VDC	Amp	Watt	RPM	CFM	m3/min	mmH2O	inH2O	dB(A)
BLD7530V48LR-K	48	0.04	1.92	2000	6.37	0.18	2.65	0.104	33.2
BLD7530V48L-K	48	0.065	3.12	2500	8.87	0.251	5.53	0.218	37.5
BLD7530V48M-K	48	0.085	4.08	3000	9.25	0.264	7.26	0.286	42.7
BLD7530V48H-K	48	0.115	5.52	3500	10.8	0.307	11.25	0.443	45.6
BLD7530V48HR-K	48	0.15	7.2	4000	12.9	0.37	14.37	0.57	46.8

DC Blower

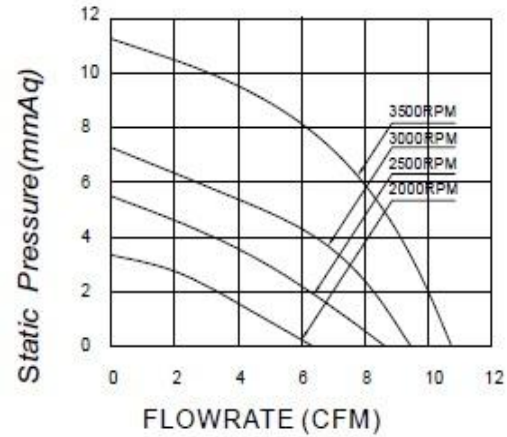
75x75x30mm

- Dimension:

Unit: mm



- Performance:



DC Blower

75x75x30mm - B Type

- Housing: Plastic (UL94V-0)
- Impeller: Plastic (UL94V-0)
- Bearing: Ball Type
- Certification: CE, RoHS
- Additional functions are optional



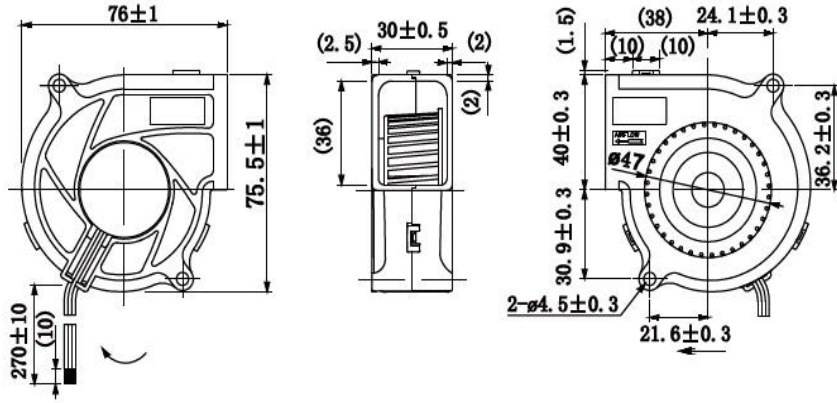
Model	Voltage	Current	Power	Speed	Air Flow		Pressure		Noise
	VDC	Amp	Watt	RPM	CFM	m3/min	mmH2O	inH2O	dB(A)
BLD7530V12L-K2	12	0.14	1.68	2100	8.8	0.25	5.99	0.236	40.3
BLD7530V12M-K2	12	0.27	3.24	2600	10.9	0.31	10.01	0.394	42.1
BLD7530V12H-K2	12	0.37	4.44	3000	12.7	0.36	15.49	0.61	43
BLD7530V24L-K2	24	0.1	2.4	2100	8.8	0.25	5.99	0.236	40.3
BLD7530V24M-K2	24	0.14	3.36	2600	10.9	0.31	10.01	0.394	42.1
BLD7530V24H-K2	24	0.17	4.08	3000	12.7	0.36	15.49	0.61	43

DC Blower

75x75x30mm - B Type

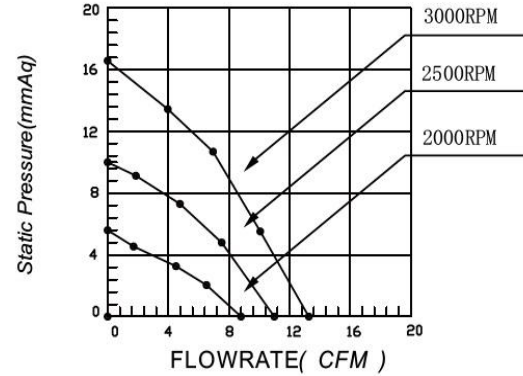
- Dimension:

Unit: mm



UNIT: $\frac{\text{mm}}{\text{(INCH)}}$

- Performance:



DC Blower

97x25mm - B Type

- Housing: Plastic (UL94V-0)
- Impeller: Plastic (UL94V-0)
- Bearing: Ball Type
- Certification: CE, RoHS
- Additional functions are optional



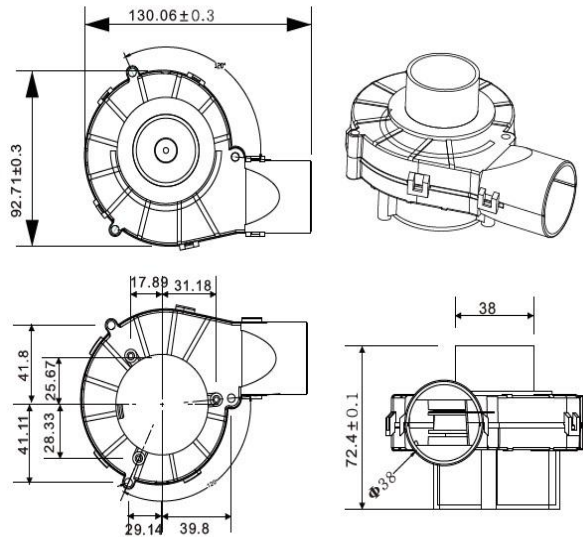
Model	Voltage	Current	Power	Speed	Air Flow		Pressure		Noise
	VDC	Amp	Watt	RPM	CFM	m3/min	mmH2O	inH2O	dB(A)
BLD9725V12M-K2	12	0.6	7.2	9000	19.7	0.56	58.2	2.3	59.9
BLD9725V12H-K2	12	1.5	18	14000	30.9	0.88	153.2	6.03	68.6
BLD9725V24M-K2	24	0.3	7.2	9000	19.7	0.56	58.2	2.3	59.9
BLD9725V24H-K2	24	0.75	18	14000	30.9	0.88	153.2	6.03	68.6

DC Blower

97x25mm - B Type

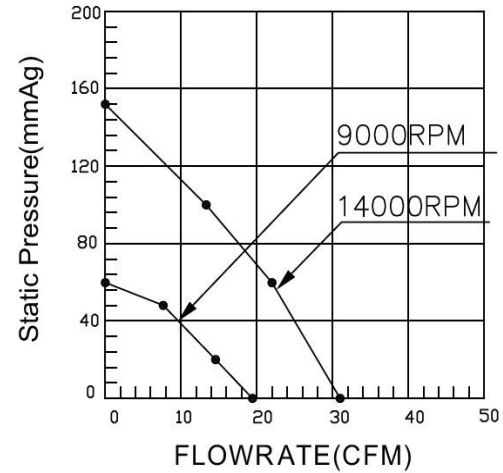
- Dimension:

Unit: mm



Unit: mm

- Performance:



DC Blower

97x97x25mm - C Type

- Housing: Plastic (UL94V-0)
- Impeller: Plastic (UL94V-0)
- Bearing: Ball Type
- Certification: CE, RoHS
- Additional functions are optional



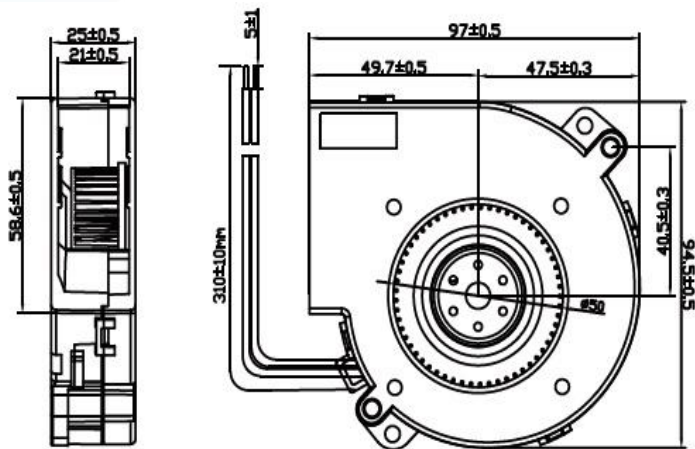
Model	Voltage	Current	Power	Speed	Air Flow		Pressure		Noise
	VDC	Amp	Watt	RPM	CFM	m3/min	mmH2O	inH2O	dB(A)
BLD9725V12M-K3	12	0.51	6.12	4000	21.2	0.6	31.7	1.25	52.5
BLD9725V12H-K3	12	1.05	12.6	5000	26.7	0.76	52.1	2.05	57.3
BLD9725V24M-K3	24	0.26	6.12	4000	21.2	0.6	31.7	1.25	52.5
BLD9725V24H-K3	24	0.53	12.6	5000	26.7	0.76	52.1	2.05	57.3
BLD9725V48M-K3	48	0.13	6.12	4000	21.2	0.6	31.7	1.25	52.5
BLD9725V48H-K3	48	0.27	12.6	5000	26.7	0.76	52.1	2.05	57.3

DC Blower

97x97x25mm - C Type

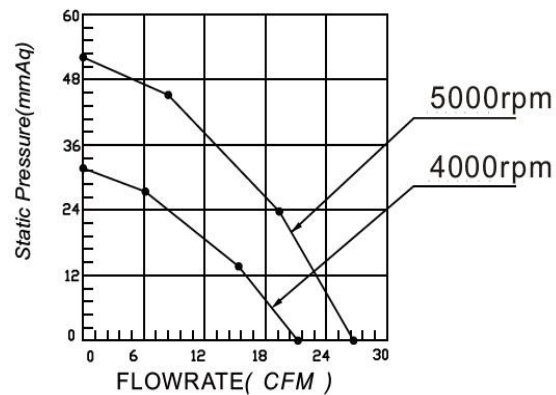
- Dimension:

Unit: mm



UNIT: $\frac{\text{mm}}{\text{(INCH)}}$

- Performance:



DC Blower

97x97x33mm

- Housing: Plastic (UL94V-0)
- Impeller: Plastic (UL94V-0)
- Bearing: Ball Type
- Certification: CE, RoHS
- Additional functions are optional



Model	Voltage	Current	Power	Speed	Air Flow		Pressure		Noise
	VDC	Amp	Watt	RPM	CFM	m3/min	mmH2O	inH2O	dB(A)
BLD9733V12LW-K	12	0.36	4.32	3000	12.8	0.363	8.99	0.354	44.8
BLD9733V12LR-K	12	0.5	6	3500	15.4	0.436	12.4	0.488	47.2
BLD9733V12L-K	12	0.38	8.16	4000	20	0.568	16.17	0.637	50.9
BLD9733V12M-K	12	0.83	10	4500	22.5	0.637	21.43	0.844	52.5
BLD9733V12H-K	12	1	12	5000	25.2	0.715	26.25	1.033	55.3
BLD9733V12HR-K	12	1.2	14.4	5500	28.3	0.802	33.15	1.305	57.1

DC Blower

97x97x33mm

- Housing: Plastic (UL94V-0)
- Impeller: Plastic (UL94V-0)
- Bearing: Ball Type
- Certification: CE, RoHS
- Additional functions are optional



Model	Voltage	Current	Power	Speed	Air Flow		Pressure		Noise
	VDC	Amp	Watt	RPM	CFM	m3/min	mmH2O	inH2O	dB(A)
BLD9733V24LW-K	24	0.18	4.32	3000	12.8	0.363	8.99	0.354	44.8
BLD9733V24LR-K	24	0.25	6	3500	15.4	0.436	12.4	0.488	47.2
BLD9733V24L-K	24	0.34	8.16	4000	20	0.568	16.17	0.637	50.9
BLD9733V24M-K	24	0.42	10	4500	22.5	0.637	21.43	0.844	52.5
BLD9733V24H-K	24	0.5	12	5000	25.2	0.715	26.25	1.033	55.3
BLD9733V24HR-K	24	0.6	14.4	5500	28.3	0.802	33.15	1.305	57.1

DC Blower

97x97x33mm

- Housing: Plastic (UL94V-0)
- Impeller: Plastic (UL94V-0)
- Bearing: Ball Type
- Certification: CE, RoHS
- Additional functions are optional



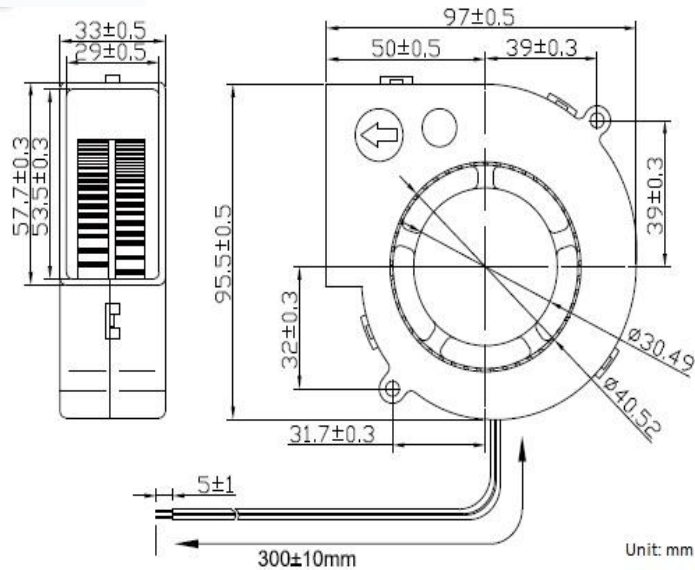
Model	Voltage	Current	Power	Speed	Air Flow		Pressure		Noise
	VDC	Amp	Watt	RPM	CFM	m3/min	mmH2O	inH2O	dB(A)
BLD9733V48LR-K	48	0.09	4.32	3000	12.8	0.363	8.99	0.354	44.8
BLD9733V48L-K	48	0.13	6	3500	15.4	0.436	12.4	0.488	47.2
BLD9733V48M-K	48	0.17	8.16	4000	20	0.568	16.17	0.637	50.9
BLD9733V48H-K	48	0.21	10	4500	22.5	0.637	21.43	0.844	52.5
BLD9733V48HR-K	48	0.25	12	5000	25.2	0.715	26.25	1.033	55.3

DC Blower

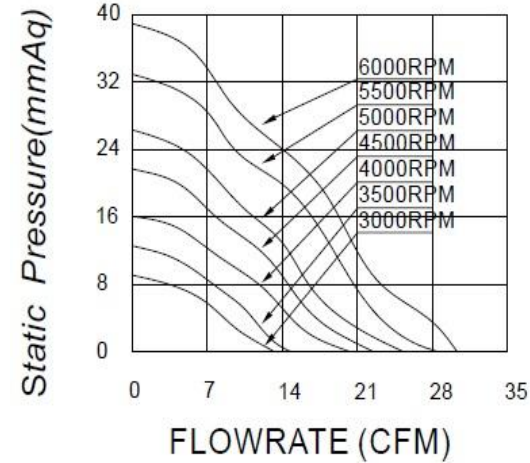
97x97x33mm

- Dimension:

Unit: mm



- Performance:



DC Blower

97x97x33mm - B Type

- Housing: Plastic (UL94V-0)
- Impeller: Plastic (UL94V-0)
- Bearing: Ball Type
- Certification: CE, RoHS
- Additional functions are optional



Model	Voltage	Current	Power	Speed	Air Flow		Pressure		Noise
	VDC	Amp	Watt	RPM	CFM	m3/min	mmH2O	inH2O	dB(A)
BLD9733V12LR-K2	12	3.4	40.8	6850	56.8	1.61	130.49	5.14	66
BLD9733V12L-K2	12	1.8	21.6	5750	47.3	1.34	77.47	3.052	61
BLD9733V12M-K2	12	1.4	16.8	5250	43.1	1.22	62.18	2.45	59
BLD9733V12H-K2	12	1.1	13.2	4850	39.2	1.11	49.95	1.968	57
BLD9733V12HR-K2	12	0.9	10.8	4500	36.7	1.04	41.79	1.647	56

DC Blower

97x97x33mm - B Type

- Housing: Plastic (UL94V-0)
- Impeller: Plastic (UL94V-0)
- Bearing: Ball Type
- Certification: CE, RoHS
- Additional functions are optional



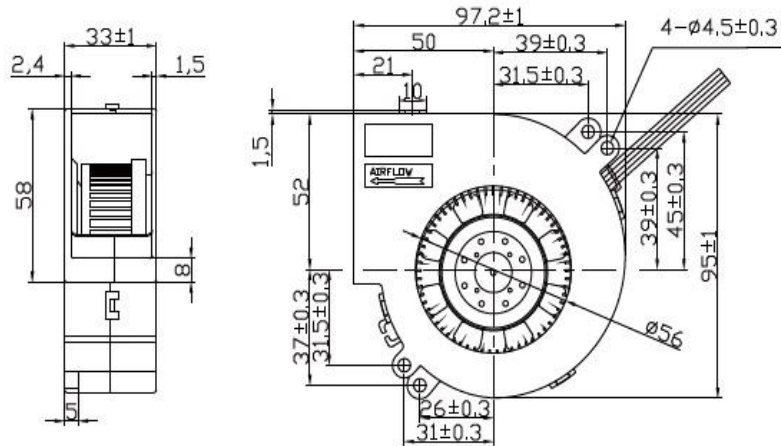
Model	Voltage	Current	Power	Speed	Air Flow		Pressure		Noise
	VDC	Amp	Watt	RPM	CFM	m3/min	mmH2O	inH2O	dB(A)
BLD9733V24LR-K2	24	1.62	38.88	6850	56.8	1.61	130.49	5.14	66
BLD9733V24L-K2	24	0.83	19.9	5750	47.3	1.34	77.47	3.052	61
BLD9733V24M-K2	24	0.7	16.8	5250	43.1	1.22	62.18	2.45	59
BLD9733V24H-K2	24	0.55	13.2	4850	39.2	1.11	49.95	1.968	57
BLD9733V24HR-K2	24	0.45	10.8	4500	36.7	1.04	41.79	1.647	56

DC Blower

97x97x33mm - B Type

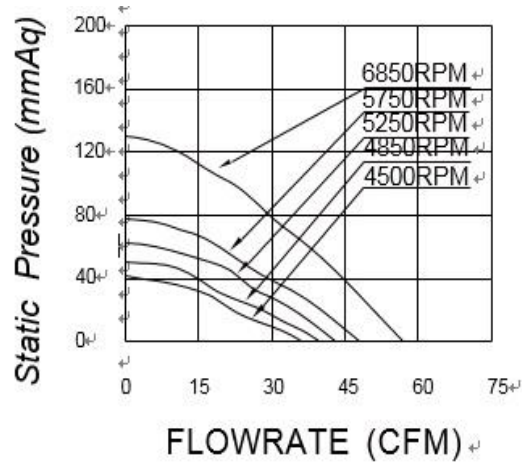
- Dimension:

Unit: mm



Unit: mm

- Performance:



DC Blower

97x97x33mm - C Type

- Housing: Plastic (UL94V-0)
- Impeller: Plastic (UL94V-0)
- Bearing: Ball Type
- Certification: CE, RoHS
- Additional functions are optional



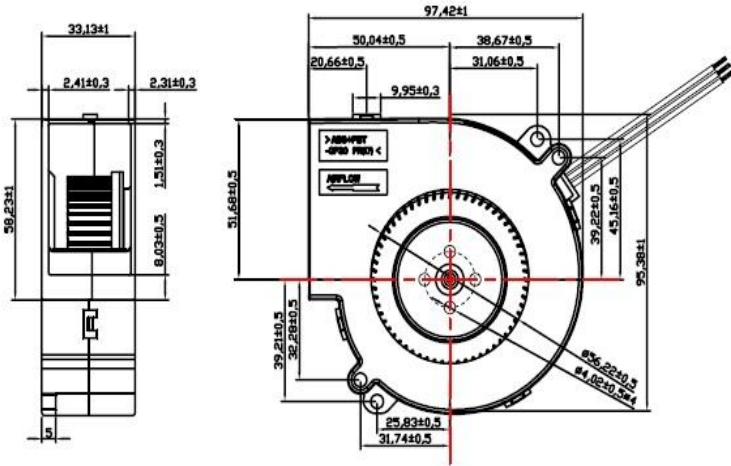
Model	Voltage	Current	Power	Speed	Air Flow		Pressure		Noise
	VDC	Amp	Watt	RPM	CFM	m3/min	mmH2O	inH2O	dB(A)
BLD9733V12H-K3	12	6.2	74.4	8200	65.3	1.85	198.77	7.83	69
BLD9733V24H-K3	24	3.1	74.4	8200	65.3	1.85	198.77	7.83	69

DC Blower

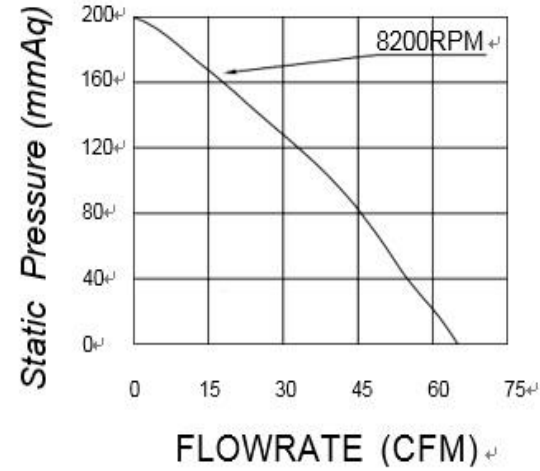
97x97x33mm - C Type

- Dimension:

Unit: mm



- Performance:



DC Blower

120x120x25mm

- Housing: Plastic (UL94V-0)
- Impeller: Plastic (UL94V-0)
- Bearing: Ball Type
- Certification: CE, RoHS
- Additional functions are optional



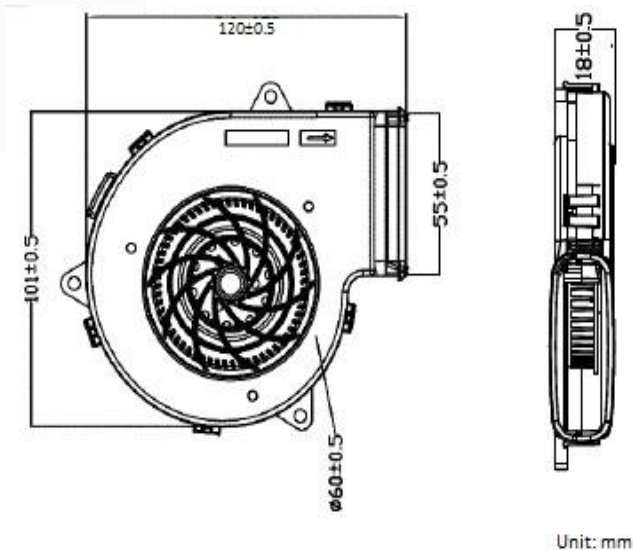
Model	Voltage	Current	Power	Speed	Air Flow		Pressure		Noise
	VDC	Amp	Watt	RPM	CFM	m3/min	mmH2O	inH2O	dB(A)
BLD12025V5M-K	5	1.8	9	4300	18.2	0.515	48.6	1.91	49.7
BLD12025V12M-K	12	0.75	9.0	4300	18.2	0.515	48.6	1.91	49.7
BLD12025V24M-K	24	0.375	9.0	4300	18.2	0.515	48.6	1.91	49.7

DC Blower

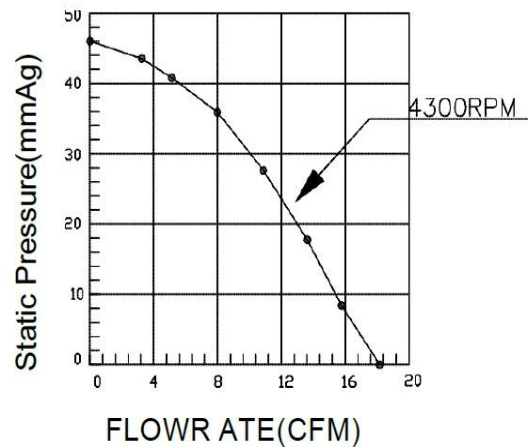
120x120x25mm

- Dimension:

Unit: mm



- Performance:



DC Blower

120x120x32mm

- Housing: Plastic (UL94V-0)
- Impeller: Plastic (UL94V-0)
- Bearing: Ball Type
- Certification: CE, RoHS
- Additional functions are optional



Model	Voltage	Current	Power	Speed	Air Flow		Pressure		Noise
	VDC	Amp	Watt	RPM	CFM	m3/min	mmH2O	inH2O	dB(A)
BLD12032V12LR-K	12	0.5	6	2500	26.5	0.751	20.25	0.797	48.2
BLD12032V12L-K	12	1.1	13.2	3000	31.9	0.905	27.47	1.081	51.9
BLD12032V12M-K	12	1.7	20.1	3500	36.9	1.046	35.92	1.414	55.6
BLD12032V12H-K	12	2.2	26.4	4000	41.9	1.189	48.47	1.908	59.9

DC Blower

120x120x32mm

- Housing: Plastic (UL94V-0)
- Impeller: Plastic (UL94V-0)
- Bearing: Ball Type
- Certification: CE, RoHS
- Additional functions are optional



Model	Voltage	Current	Power	Speed	Air Flow		Pressure		Noise
	VDC	Amp	Watt	RPM	CFM	m3/min	mmH2O	inH2O	dB(A)
BLD12032V24LR-K	24	0.25	6	2500	26.5	0.751	20.25	0.797	48.2
BLD12032V24L-K	24	0.55	13.2	3000	31.9	0.905	27.47	1.081	51.9
BLD12032V24M-K	24	0.84	20.1	3500	36.9	1.046	35.92	1.414	55.6
BLD12032V24H-K	24	1.1	26.4	4000	41.9	1.189	48.47	1.908	59.9

DC Blower

120x120x32mm

- Housing: Plastic (UL94V-0)
- Impeller: Plastic (UL94V-0)
- Bearing: Ball Type
- Certification: CE, RoHS
- Additional functions are optional



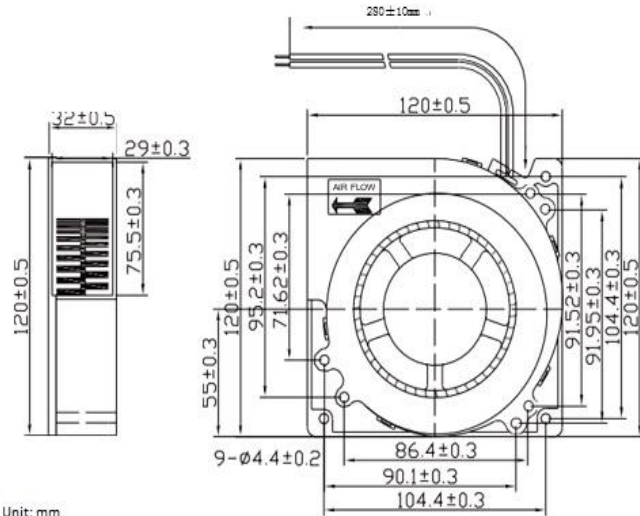
Model	Voltage	Current	Power	Speed	Air Flow		Pressure		Noise
	VDC	Amp	Watt	RPM	CFM	m3/min	mmH2O	inH2O	dB(A)
BLD12032V48LR-K	48	0.13	6	2500	26.5	0.751	20.25	0.797	48.2
BLD12032V48L-K	48	0.28	13.2	3000	31.9	0.905	27.47	1.081	51.9
BLD12032V48M-K	48	0.42	20.1	3500	36.9	1.046	35.92	1.414	55.6
BLD12032V48H-K	48	0.55	26.4	4000	41.9	1.189	48.47	1.908	59.9

DC Blower

120x120x32mm

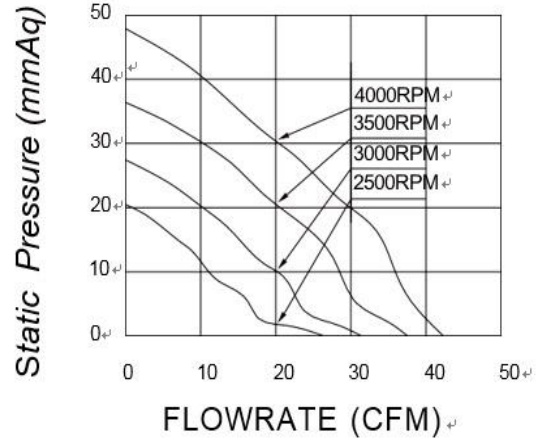
- Dimension:

Unit: mm



Unit: mm

- Performance:



DC Blower

120x120x32mm - B Type

- Housing: Plastic (UL94V-0)
- Impeller: Plastic (UL94V-0)
- Bearing: Ball Type
- Certification: CE, RoHS
- Additional functions are optional



Model	Voltage	Current	Power	Speed	Air Flow		Pressure		Noise
	VDC	Amp	Watt	RPM	CFM	m3/min	mmH2O	inH2O	dB(A)
BLD12032V12LW-K2	12	0.8	9.6	2500	32.4	1.143	18.98	0.747	50.4
BLD12032V12LR-K2	12	1.4	16.8	3000	40.4	1.426	29.28	1.153	52.3
BLD12032V12L-K2	12	1.8	21.6	3500	46.4	1.639	40.17	1.581	58.3
BLD12032V12M-K2	12	2.4	28.8	4000	52.4	1.853	54.63	2.151	59
BLD12032V12H-K2	12	3	36	4500	59.3	2.096	73.11	2.878	62.2
BLD12032V12HR-K2	12	3.6	43.2	5000	66	2.331	83.6	3.291	64.7

DC Blower

120x120x32mm - B Type

- Housing: Plastic (UL94V-0)
- Impeller: Plastic (UL94V-0)
- Bearing: Ball Type
- Certification: CE, RoHS
- Additional functions are optional



Model	Voltage	Current	Power	Speed	Air Flow		Pressure		Noise
	VDC	Amp	Watt	RPM	CFM	m3/min	mmH2O	inH2O	dB(A)
BLD12032V24LW-K2	24	0.4	9.6	2500	32.4	1.143	18.98	0.747	50.4
BLD12032V24LR-K2	24	0.7	16.8	3000	40.4	1.426	29.28	1.153	52.3
BLD12032V24L-K2	24	0.9	21.6	3500	46.4	1.639	40.17	1.581	58.3
BLD12032V24M-K2	24	1.2	28.8	4000	52.4	1.853	54.63	2.151	59
BLD12032V24H-K2	24	1.5	36	4500	59.3	2.096	73.11	2.878	62.2
BLD12032V24HR-K2	24	1.8	43.2	5000	66	2.331	83.6	3.291	64.7

DC Blower

120x120x32mm - B Type

- Housing: Plastic (UL94V-0)
- Impeller: Plastic (UL94V-0)
- Bearing: Ball Type
- Certification: CE, RoHS
- Additional functions are optional



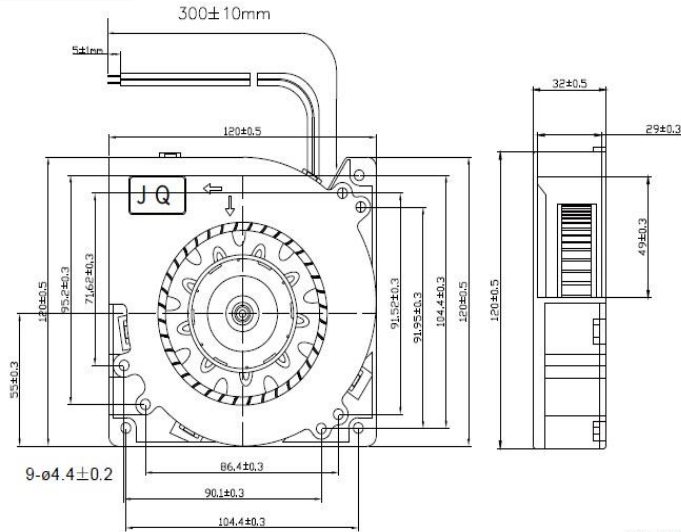
Model	Voltage	Current	Power	Speed	Air Flow		Pressure		Noise
	VDC	Amp	Watt	RPM	CFM	m3/min	mmH2O	inH2O	dB(A)
BLD12032V48LW-K2	48	0.2	9.6	2500	32.4	1.143	18.98	0.747	50.4
BLD12032V48LR-K2	48	0.35	16.8	3000	40.4	1.426	29.28	1.153	52.3
BLD12032V48L-K2	48	0.45	21.6	3500	46.4	1.639	40.17	1.581	58.3
BLD12032V48M-K2	48	0.6	28.8	4000	52.4	1.853	54.63	2.151	59
BLD12032V48H-K2	48	0.75	36	4500	59.3	2.096	73.11	2.878	62.2
BLD12032V48HR-K2	48	0.9	43.2	5000	66	2.331	83.6	3.291	64.7

DC Blower

120x120x32mm - B Type

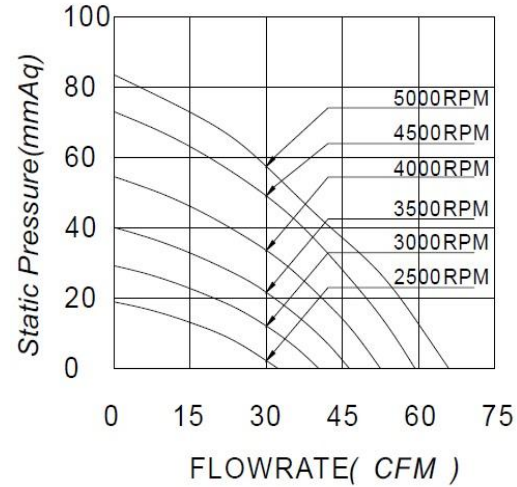
- Dimension:

Unit: mm



Unit: mm

- Performance:



DC Blower

120x120x32mm - C Type

- Housing: Plastic (UL94V-0)
- Impeller: Plastic (UL94V-0)
- Bearing: Ball Type
- Certification: CE, RoHS
- Additional functions are optional



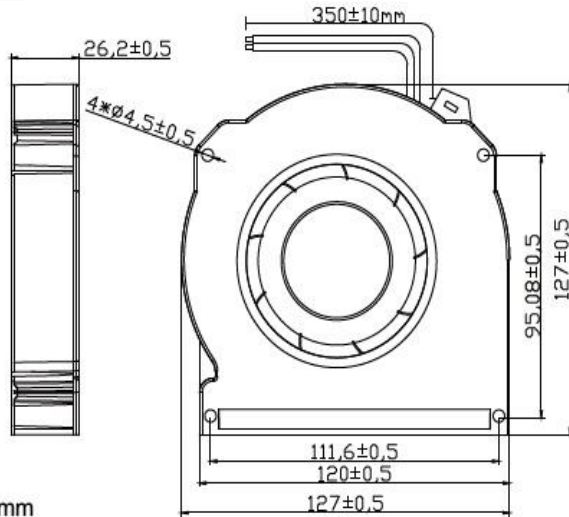
Model	Voltage	Current	Power	Speed	Air Flow		Pressure		Noise
	VDC	Amp	Watt	RPM	CFM	m3/min	mmH2O	inH2O	dB(A)
BLD12032V12L-K3	12	0.6	7.2	4800	34.8	0.99	39.8	1.57	62.5
BLD12032V12M-K3	12	0.8	9.6	5100	36.4	1.03	44.3	1.75	64
BLD12032V12H-K3	12	1.56	18.7	6400	46.3	1.31	74.3	2.93	69.2
BLD12032V24L-K3	24	0.3	7.2	4800	34.8	0.99	39.8	1.57	62.5
BLD12032V24M-K3	24	0.4	9.6	5100	36.4	1.03	44.3	1.75	64
BLD12032V24H-K3	24	0.78	18.7	6400	46.3	1.31	74.3	2.93	69.2
BLD12032V48L-K3	48	0.15	7.2	4800	34.8	0.99	39.8	1.57	62.5
BLD12032V48M-K3	48	0.2	9.6	5100	36.4	1.03	44.3	1.75	64
BLD12032V48H-K3	48	0.39	18.7	6400	46.3	1.31	74.3	2.93	69.2

DC Blower

120x120x32mm - C Type

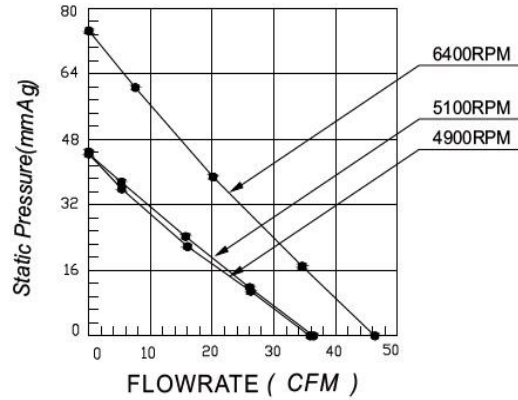
- Dimension:

Unit: mm



UNIT: $\frac{\text{mm}}{\text{(INCH)}}$

- Performance:



DC Blower

140x140x40mm

- Housing: Plastic (UL94V-0)
- Impeller: Plastic (UL94V-0)
- Bearing: Ball Type
- Certification: CE, RoHS
- Additional functions are optional



Model	Voltage	Current	Power	Speed	Air Flow		Pressure		Noise
	VDC	Amp	Watt	RPM	CFM	m3/min	mmH2O	inH2O	dB(A)
BLD14040V12LW-K	12	0.5	6	2000	37.3	1.058	8.2	0.323	56
BLD14040V12LR-K	12	1.4	16.8	2500	45.7	1.294	12.19	0.48	64.2
BLD14040V12L-K	12	2.3	27.6	3000	54.7	1.549	17.74	0.698	65.7
BLD14040V12M-K	12	3.2	38.4	3500	68	1.926	33.75	1.329	68.9
BLD14040V12H-K	12	4.2	50.4	4000	76.4	2.164	45.48	1.791	70
BLD14040V12HR-K	12	5.1	61.2	4500	87.9	2.489	59.15	2.329	71.9

DC Blower

140x140x40mm

- Housing: Plastic (UL94V-0)
- Impeller: Plastic (UL94V-0)
- Bearing: Ball Type
- Certification: CE, RoHS
- Additional functions are optional



Model	Voltage	Current	Power	Speed	Air Flow		Pressure		Noise
	VDC	Amp	Watt	RPM	CFM	m3/min	mmH2O	inH2O	dB(A)
BLD14040V24LW-K	24	0.25	6	2000	37.3	1.058	8.2	0.323	56
BLD14040V24LR-K	24	0.7	16.8	2500	45.7	1.294	12.19	0.48	64.2
BLD14040V24L-K	24	1.15	27.6	3000	54.7	1.549	17.74	0.698	65.7
BLD14040V24M-K	24	1.6	38.4	3500	68	1.926	33.75	1.329	68.9
BLD14040V24H-K	24	2.1	50.4	4000	76.4	2.164	45.48	1.791	70
BLD14040V24HR-K	24	2.55	61.2	4500	87.9	2.489	59.15	2.329	71.9

DC Blower

140x140x40mm

- Housing: Plastic (UL94V-0)
- Impeller: Plastic (UL94V-0)
- Bearing: Ball Type
- Certification: CE, RoHS
- Additional functions are optional



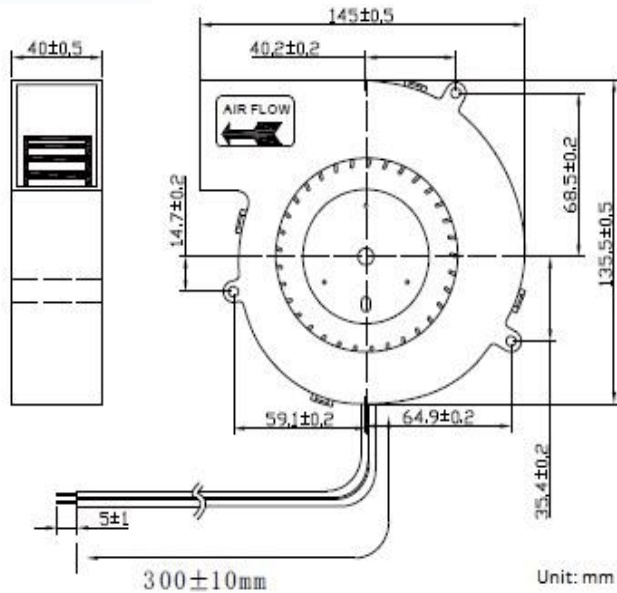
Model	Voltage	Current	Power	Speed	Air Flow		Pressure		Noise
	VDC	Amp	Watt	RPM	CFM	m3/min	mmH2O	inH2O	dB(A)
BLD14040V48LW-K	48	0.125	6	2000	37.3	1.058	8.2	0.323	56
BLD14040V48LR-K	48	0.35	16.8	2500	45.7	1.294	12.19	0.48	64.2
BLD14040V48L-K	48	0.575	27.6	3000	54.7	1.549	17.74	0.698	65.7
BLD14040V48M-K	48	0.8	38.4	3500	68	1.926	33.75	1.329	68.9
BLD14040V48H-K	48	1.05	50.4	4000	76.4	2.164	45.48	1.791	70
BLD14040V48HR-K	48	1.275	61.2	4500	87.9	2.489	59.15	2.329	71.9

DC Blower

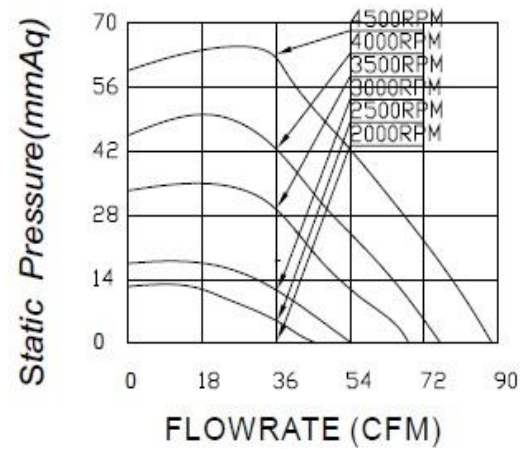
140x140x40mm

- Dimension:

Unit: mm



- Performance:



DC Blower

160x160x40mm

- Housing: Plastic (UL94V-0)
- Impeller: Plastic (UL94V-0)
- Bearing: Ball Type
- Certification: CE, RoHS
- Additional functions are optional



Model	Voltage	Current	Power	Speed	Air Flow		Pressure		Noise
	VDC	Amp	Watt	RPM	CFM	m3/min	mmH2O	inH2O	dB(A)
BLD16040V12LR-K	12	0.8	9.6	1800	50	1.45	17.2	0.68	50.9
BLD16040V12L-K	12	1.4	16.8	2300	61.5	1.74	35.8	1.41	55.3
BLD16040V12M-K	12	4.8	57.6	3500	89.1	2.29	59.4	2.34	64.2
BLD16040V12H-K	12	8	96	4500	117.1	3.31	90.1	3.55	71.4

DC Blower

160x160x40mm

- Housing: Plastic (UL94V-0)
- Impeller: Plastic (UL94V-0)
- Bearing: Ball Type
- Certification: CE, RoHS
- Additional functions are optional



Model	Voltage	Current	Power	Speed	Air Flow		Pressure		Noise
	VDC	Amp	Watt	RPM	CFM	m3/min	mmH2O	inH2O	dB(A)
BLD16040V24LR-K	24	0.4	9.6	1800	50	1.45	17.2	0.68	50.9
BLD16040V24L-K	24	0.7	16.8	2300	61.5	1.74	35.8	1.41	55.3
BLD16040V24M-K	24	2.4	57.6	3500	89.1	2.29	59.4	2.34	64.2
BLD16040V24H-K	24	4	96	4500	117.1	3.31	90.1	3.55	71.4

DC Blower

160x160x40mm

- Housing: Plastic (UL94V-0)
- Impeller: Plastic (UL94V-0)
- Bearing: Ball Type
- Certification: CE, RoHS
- Additional functions are optional



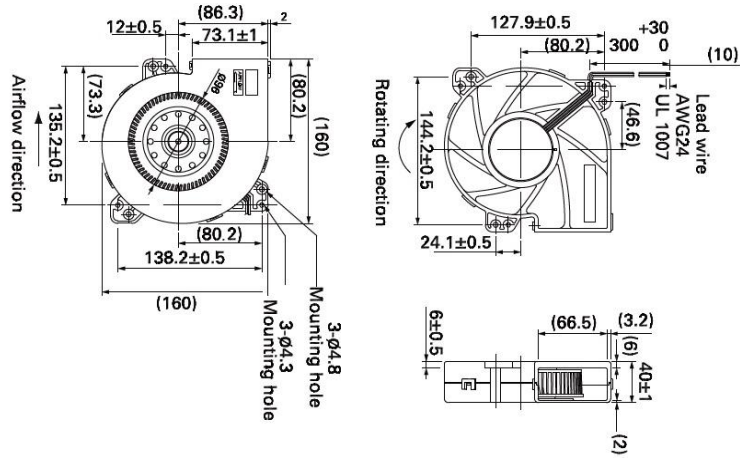
Model	Voltage	Current	Power	Speed	Air Flow		Pressure		Noise
	VDC	Amp	Watt	RPM	CFM	m3/min	mmH2O	inH2O	dB(A)
BLD16040V48LR-K	48	0.2	9.6	1800	50	1.45	17.2	0.68	50.9
BLD16040V48L-K	48	0.35	16.8	2300	61.5	1.74	35.8	1.41	55.3
BLD16040V48M-K	48	1.2	57.6	3500	89.1	2.29	59.4	2.34	64.2
BLD16040V48H-K	48	2	96	4500	117.1	3.31	90.1	3.55	71.4

DC Blower

160x160x40mm

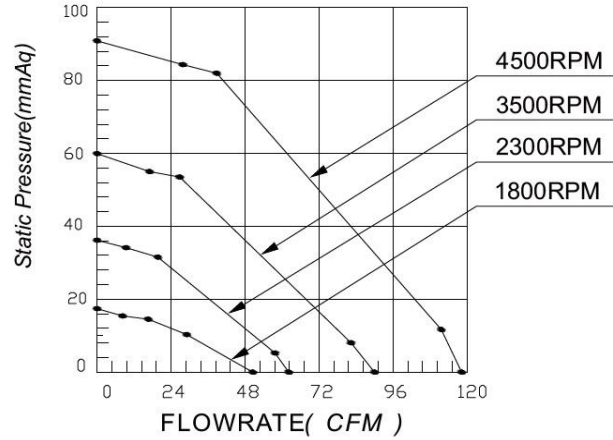
- Dimension:

Unit: mm



UNIT: $\frac{\text{mm}}{\text{INCH}}$

- Performance:



DC Blower

180x180x40mm

- Housing: Plastic (UL94V-0)
- Impeller: Plastic (UL94V-0)
- Base Plate: Iron
- Bearing: Ball Type
- Certification: CE, RoHS
- Additional functions are optional



Model	Voltage	Current	Power	Speed	Air Flow		Pressure		Noise
	VDC	Amp	Watt	RPM	CFM	m3/min	mmH2O	inH2O	dB(A)
BLD18040V12LR-K	12	0.34	4.08	2250	51	1.444	20.6	0.811	53.3
BLD18040V12L-K	12	1.2	14.4	4000	80.7	2.285	54.5	2.146	63.2
BLD18040V12M-K	12	2.5	30	5000	100.7	2.851	84.7	3.336	67.6
BLD18040V12H-K	12	3.7	44.4	5800	115.3	3.264	113.4	4.467	70.1

DC Blower

180x180x40mm

- Housing: Plastic (UL94V-0)
- Impeller: Plastic (UL94V-0)
- Base Plate: Iron
- Bearing: Ball Type
- Certification: CE, RoHS
- Additional functions are optional



Model	Voltage	Current	Power	Speed	Air Flow		Pressure		Noise
	VDC	Amp	Watt	RPM	CFM	m3/min	mmH2O	inH2O	dB(A)
BLD18040V24LR-K	24	0.17	4.08	2250	51	1.444	20.6	0.811	53.3
BLD18040V24L-K	24	0.6	14.4	4000	80.7	2.285	54.5	2.146	63.2
BLD18040V24M-K	24	1.25	30	5000	100.7	2.851	84.7	3.336	67.6
BLD18040V24H-K	24	1.85	44.4	5800	115.3	3.264	113.4	4.467	70.1

DC Blower

180x180x40mm

- Housing: Plastic (UL94V-0)
- Impeller: Plastic (UL94V-0)
- Base Plate: Iron
- Bearing: Ball Type
- Certification: CE, RoHS
- Additional functions are optional

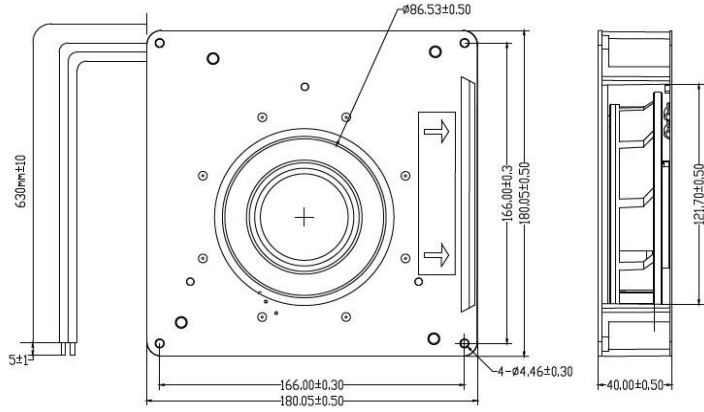


Model	Voltage	Current	Power	Speed	Air Flow		Pressure		Noise
	VDC	Amp	Watt	RPM	CFM	m3/min	mmH2O	inH2O	dB(A)
BLD18040V48LR-K	48	0.085	4.08	2250	51	1.444	20.6	0.811	53.3
BLD18040V48L-K	48	0.3	14.4	4000	80.7	2.285	54.5	2.146	63.2
BLD18040V48M-K	48	0.625	30	5000	100.7	2.851	84.7	3.336	67.6
BLD18040V48H-K	48	0.925	44.4	5800	115.3	3.264	113.4	4.467	70.1

DC Blower

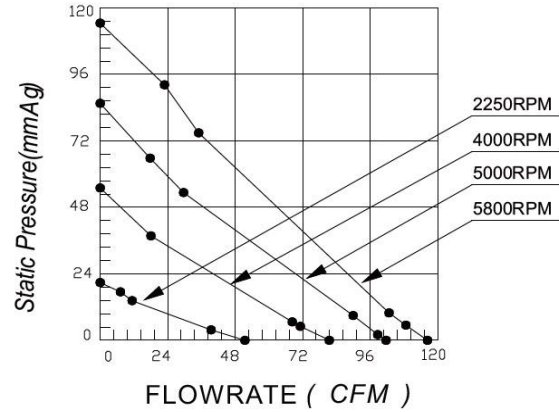
180x180x40mm

- Dimension:
Unit: mm



UNIT: $\frac{\text{mm}}{\text{(INCH)}}$

- Performance:



DC Blower

180x180x60mm

- Housing: Iron
- Impeller: Iron
- Bearing: Ball Type
- Certification: CE, RoHS
- Additional functions are optional

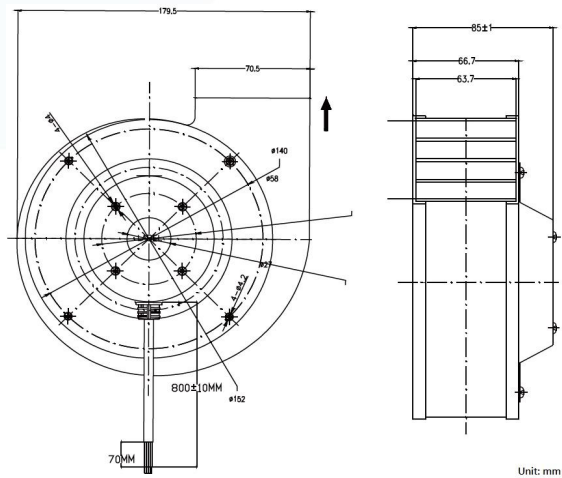


Model	Voltage	Current	Power	Speed	Air Flow		Pressure		Noise
	VDC	Amp	Watt	RPM	CFM	m3/min	mmH2O	inH2O	dB(A)
BLD18060V24L-K	24	2.55	61.2	2200	172.3	4.876	39.54	1.557	66.2

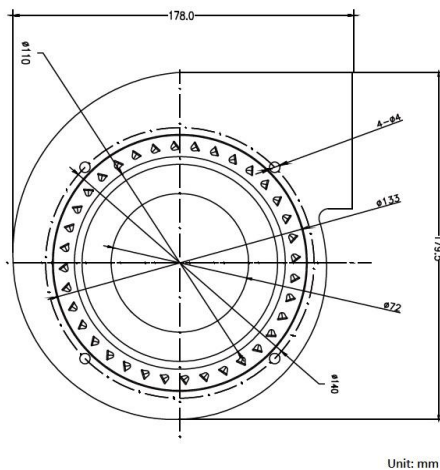
DC Blower

180x180x60mm

- Dimension:
Unit: mm



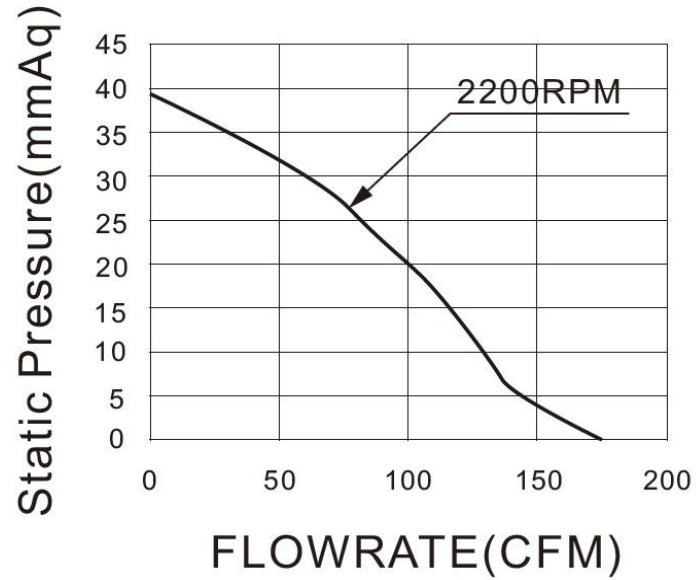
- Performance:



DC Blower

180x180x60mm

- Performance:





Change is a perpetual motion

Phone: +886-7-215-0001

Mobile: +886-938-016696

E-mail: service@cainton.com

Address: 9F.-1, No. 171,
Bizhong St., Yancheng Dist.,
Kaohsiung City 803002, Taiwan (R.O.C.)

www.cainton.com