



CAINTON

Change is a perpetual motion

DC/EC Gas Blower

- Code Rule - p.1
- DC Gas Blower - pp. 2 - 22
- EC Gas Blower - pp. 23 - 43

Code Rule

Fan Type	Fan imension (mm)		Voltage	Speed	Connection	Mold Model	IP Level
	Impeller Diameter	Length					
GBD: DC Gas Blower			V12: 12VDC	HX: Higher than Extreme	C: Connector	-Mold Model	-IP Level
GBE: EC Gas Blower			V24: 24VDC	XH: Extremely High			
			V48: 48VDC	HH: Much Higher			
			V1: 110VAC	HR: Higher			
			V2: 220VAC	H: High			
			FV: Full Voltage	M: Medium			
				L: Low			
				LR: Lower			
				LW: Much Lower			
				XL: Extremely Low			
				LX: Lower than Extreme			

DC Gas Blower

Ø118x162mm

- Housing: Die-cast Aluminum
- Impeller: Plastic
- Certification: CE, RoHS
- Additional functions are optional



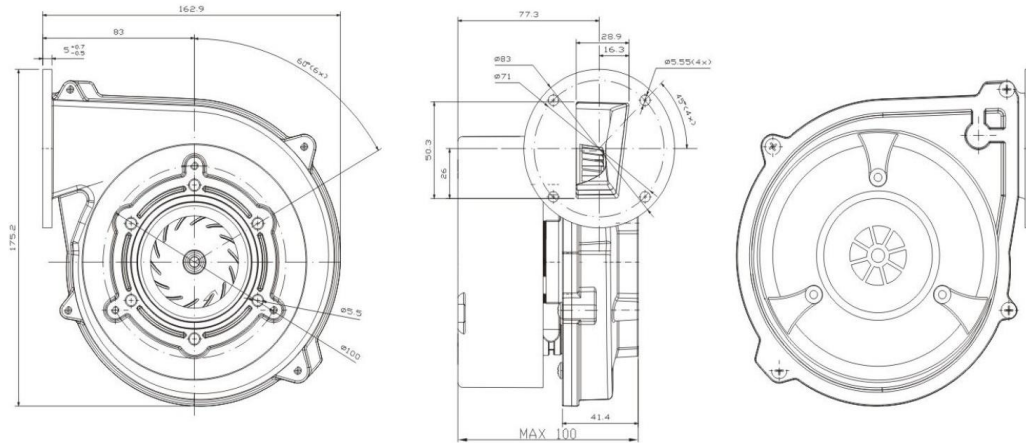
Model	Voltage	Current	Power	Speed	Air Flow		Pressure		Noise
	VDC	Amp	Watt	RPM	CFM	m3/min	mmH2O	inH2O	dB(A)
GBD118162V12H-JP	12	5.25	63	5600	55.91	1.58	219.24	8.63	65
GBD118162V24H-JP	24	2.62	63	5600	55.91	1.58	219.24	8.63	65

DC Gas Blower

Ø118x162mm

- Dimension:

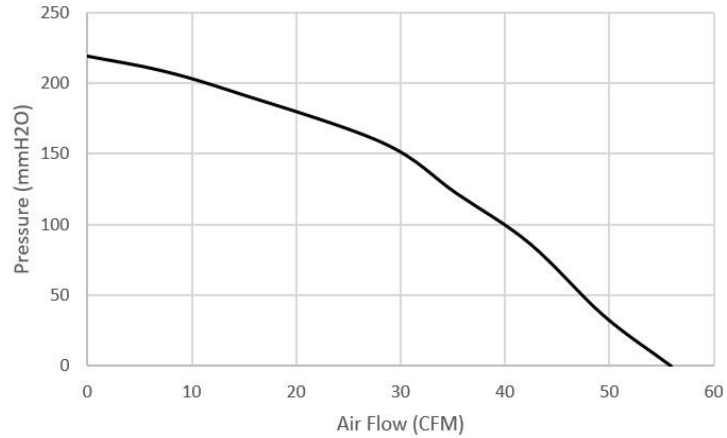
Unit: mm



DC Gas Blower

Ø118x162mm

- Performance:



DC Gas Blower

Ø130x174mm

- Housing: Die-cast Aluminum
- Impeller: Plastic
- Certification: CE, RoHS
- Additional functions are optional

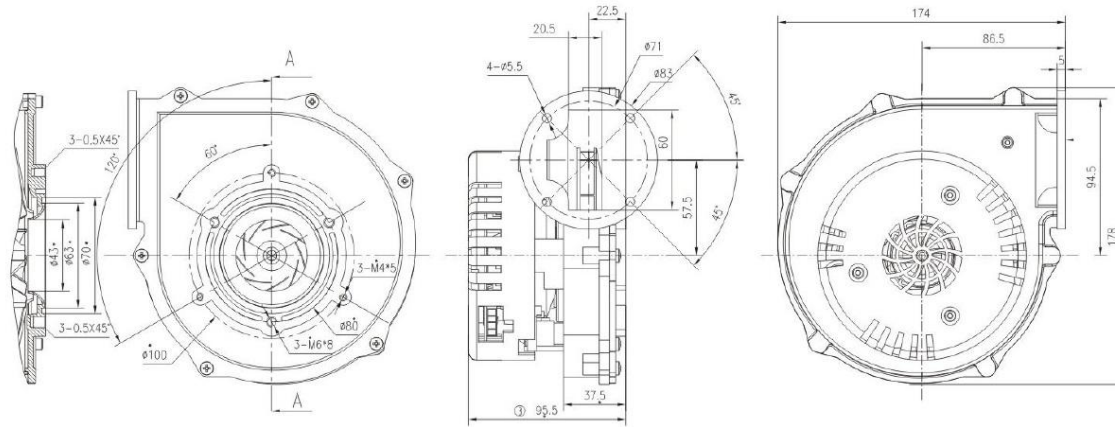


Model	Voltage	Current	Power	Speed	Air Flow		Pressure		Noise
	VDC	Amp	Watt	RPM	CFM	m3/min	mmH2O	inH2O	dB(A)
GBD130174V12H-JP	12	5.25	63	6300	75.33	2.13	275.32	10.83	70
GBD130174V24H-JP	24	2.625	63	6300	75.33	2.13	275.32	10.83	70

DC Gas Blower

Ø130x174mm

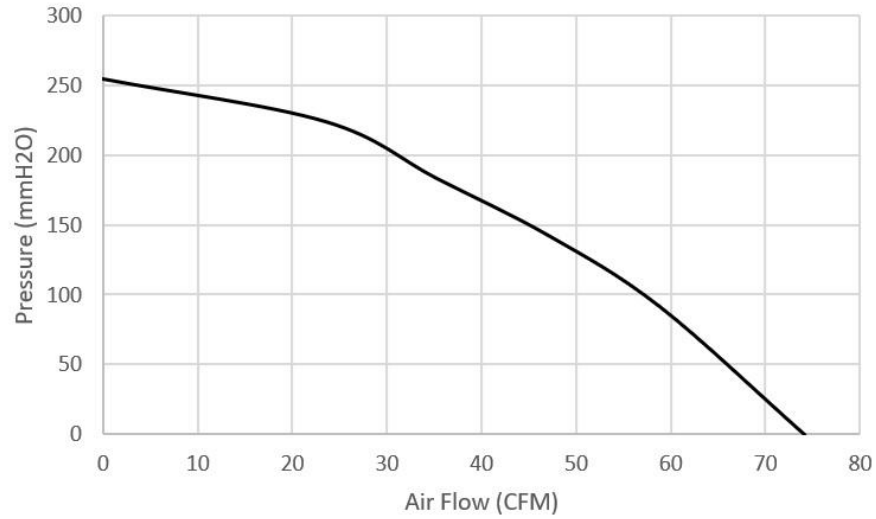
- Dimension:
Unit: mm



DC Gas Blower

Ø130x174mm

- Performance:



DC Gas Blower

Ø148x184mm

- Housing: Die-cast Aluminum
- Impeller: Plastic
- Certification: CE, RoHS
- Additional functions are optional



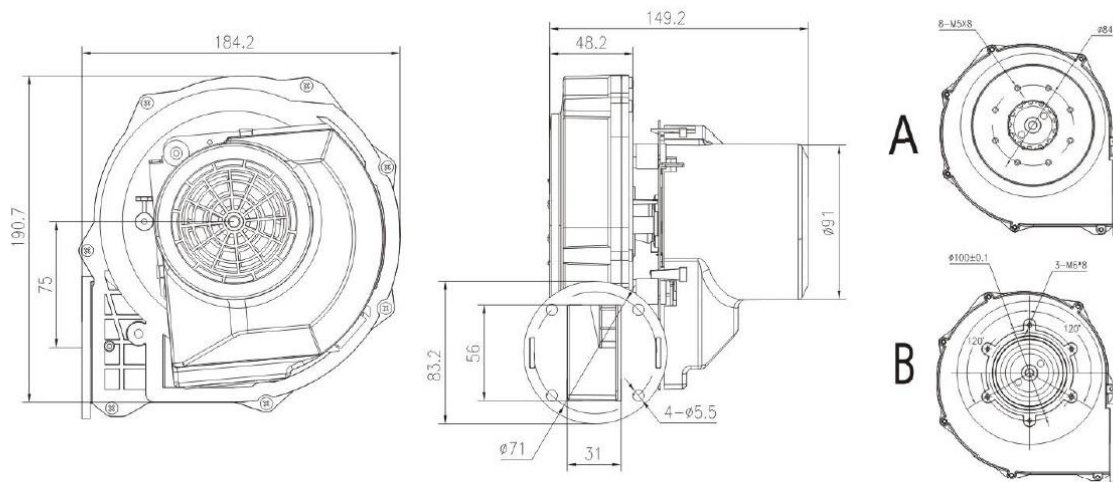
Model	Voltage	Current	Power	Speed	Air Flow		Pressure		Noise
	VDC	Amp	Watt	RPM	CFM	m3/min	mmH2O	inH2O	dB(A)
GBD148184V12H-JP	12	4.4	53	6050	77.69	2.19	168.25	6.62	70
GBD148184V24H-JP	24	2.2	53	6050	77.69	2.19	168.25	6.62	70

DC Gas Blower

Ø148x184mm

- Dimension:

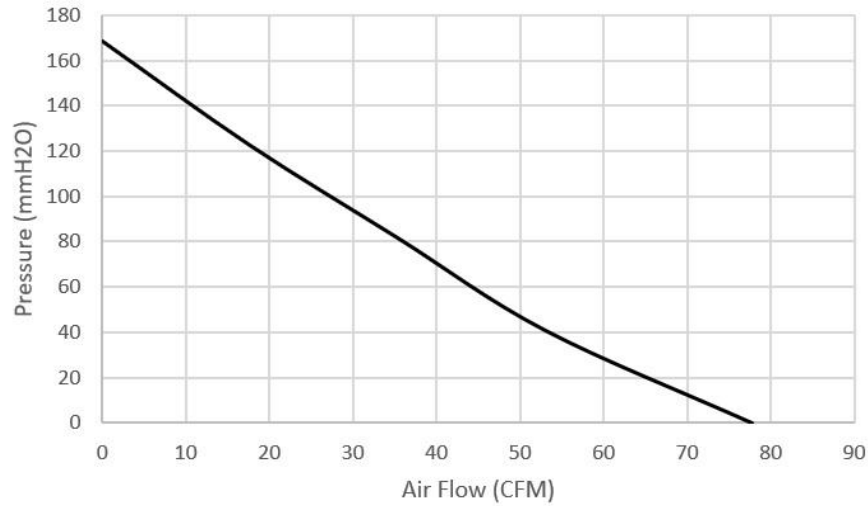
Unit: mm



DC Gas Blower

Ø148x184mm

- Performance:



DC Gas Blower

Ø150x248mm

- Housing: Die-cast Aluminum
- Impeller: Plastic
- Certification: CE, RoHS
- Additional functions are optional



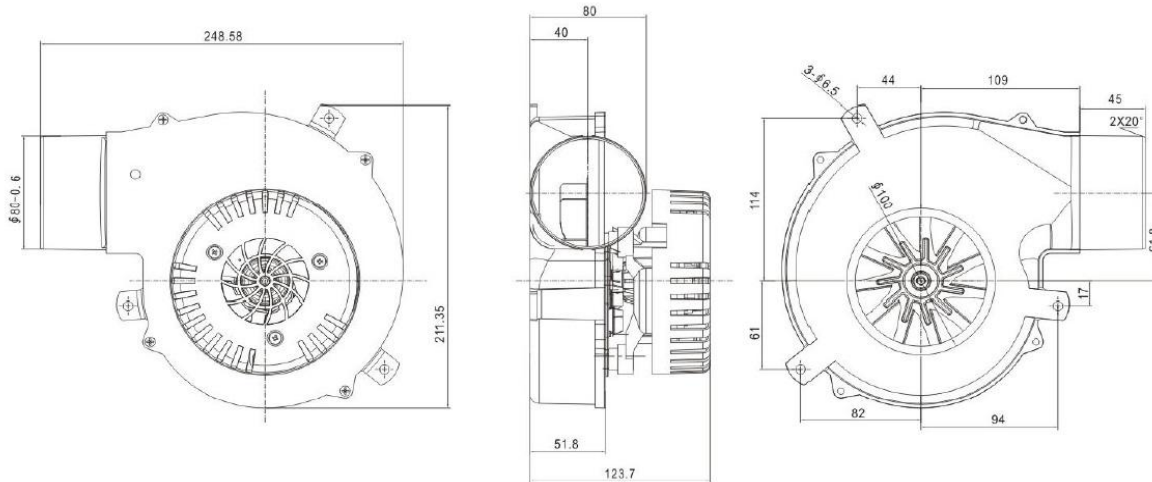
Model	Voltage	Current	Power	Speed	Air Flow		Pressure		Noise
	VDC	Amp	Watt	RPM	CFM	m3/min	mmH2O	inH2O	dB(A)
GBD150248V12M-J P	12	3.4	41	3050	95.34	2.7	56.08	2.2	71
GBD150248V24M-J P	24	1.7	41	3050	95.34	2.7	56.08	2.2	71

DC Gas Blower

Ø150x248mm

- Dimension:

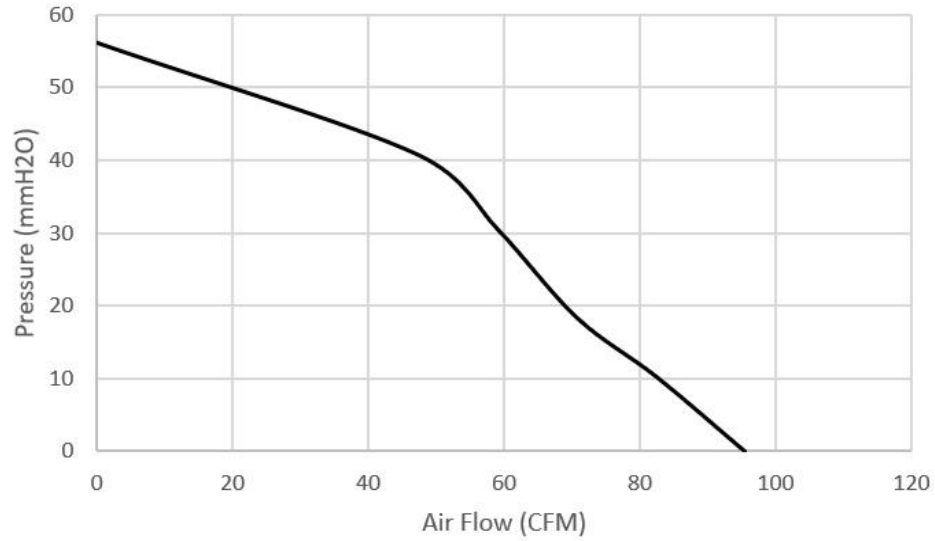
Unit: mm



DC Gas Blower

Ø150x248mm

- Performance:



DC Gas Blower

Ø97x191mm

- Housing: Die-cast Aluminum
- Impeller: Plastic
- Certification: CE, RoHS
- Additional functions are optional



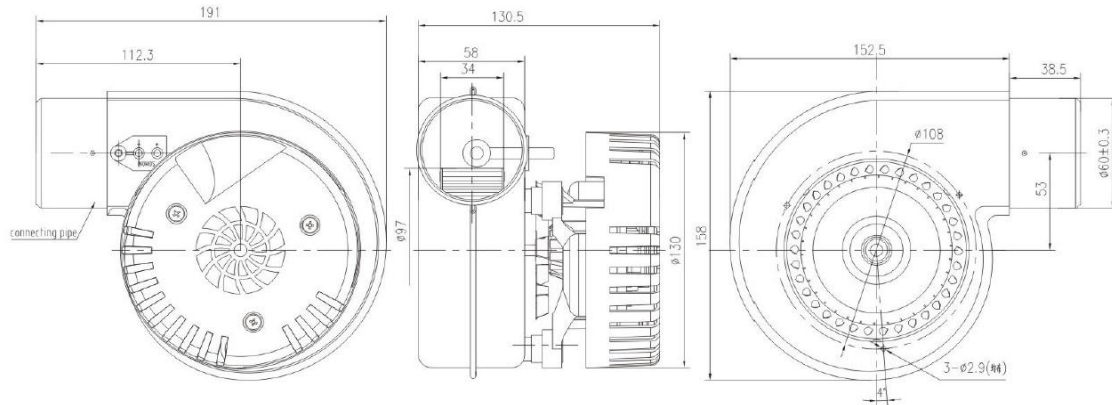
Model	Voltage	Current	Power	Speed	Air Flow		Pressure		Noise
	VDC	Amp	Watt	RPM	CFM	m3/min	mmH2O	inH2O	dB(A)
GBD97191V12M-JP	12	2.5	30	3000	88.28	2.49	40.78	1.6	69
GBD97191V24M-JP	24	1.25	30	3000	88.28	2.49	40.78	1.6	69

DC Gas Blower

Ø97x191mm

- Dimension:

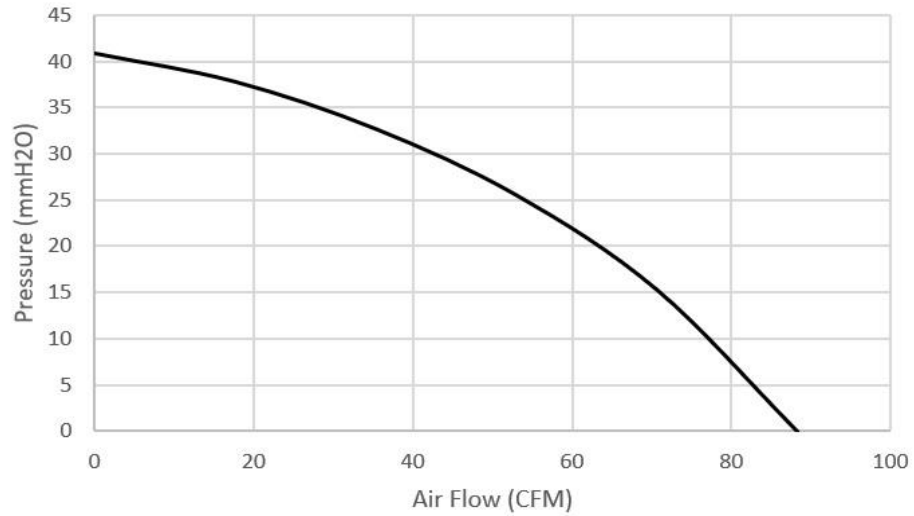
Unit: mm



DC Gas Blower

Ø97x191mm

- Performance:



DC Gas Blower

Ø97x162mm

- Housing: Die-cast Aluminum
- Impeller: Plastic
- Certification: CE, RoHS
- Additional functions are optional



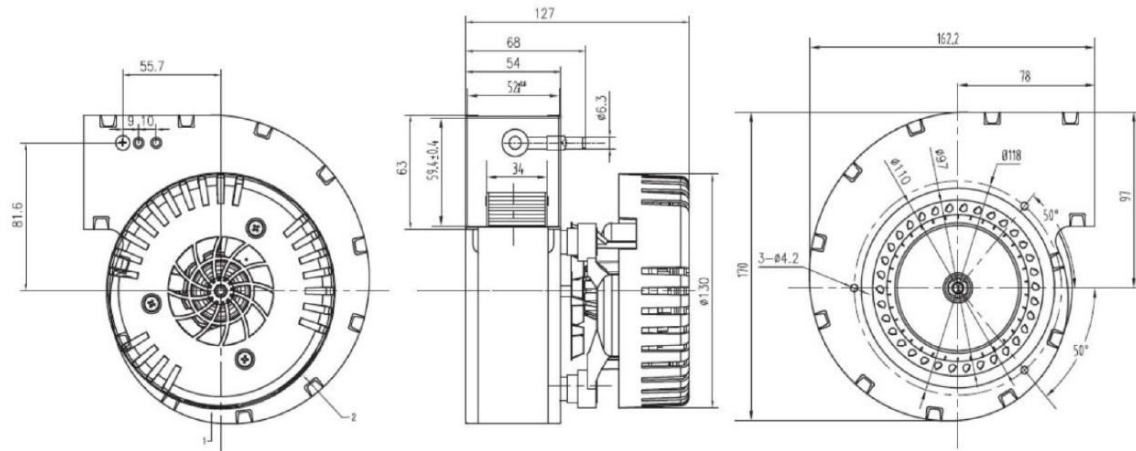
Model	Voltage	Current	Power	Speed	Air Flow		Pressure		Noise
	VDC	Amp	Watt	RPM	CFM	m3/min	mmH2O	inH2O	dB(A)
GBD97162V12M-JP	12	5.66	68	4800	123.6	3.49	69.34	2.72	72
GBD97162V24M-JP	24	2.83	68	4800	123.6	3.49	69.34	2.72	72

DC Gas Blower

Ø97x162mm

- Dimension:

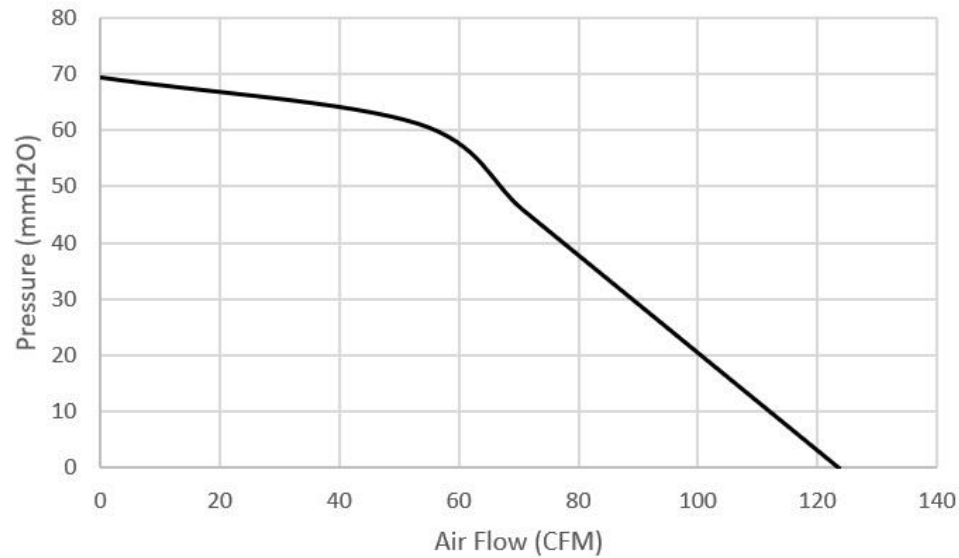
Unit: mm



DC Gas Blower

Ø97x162mm

- Performance:



DC Gas Blower

Ø120x160mm

- Housing: Die-cast Aluminum
- Impeller: Plastic
- Certification: CE, RoHS
- Additional functions are optional

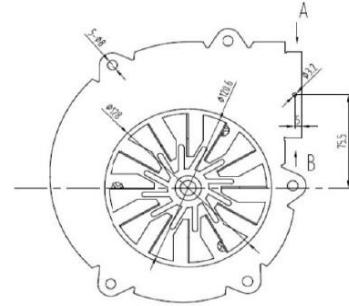
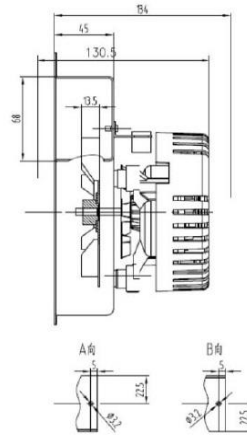
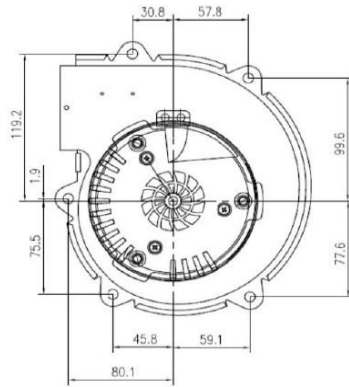


Model	Voltage	Current	Power	Speed	Air Flow		Pressure		Noise
	VDC	Amp	Watt	RPM	CFM	m3/min	mmH2O	inH2O	dB(A)
GBD120160V12M-J P	12	2.66	32	3630	85.34	2.41	34.16	1.34	70
GBD120160V24M-J P	24	1.33	32	3630	85.34	2.41	34.16	1.34	70

DC Gas Blower

Ø120x160mm

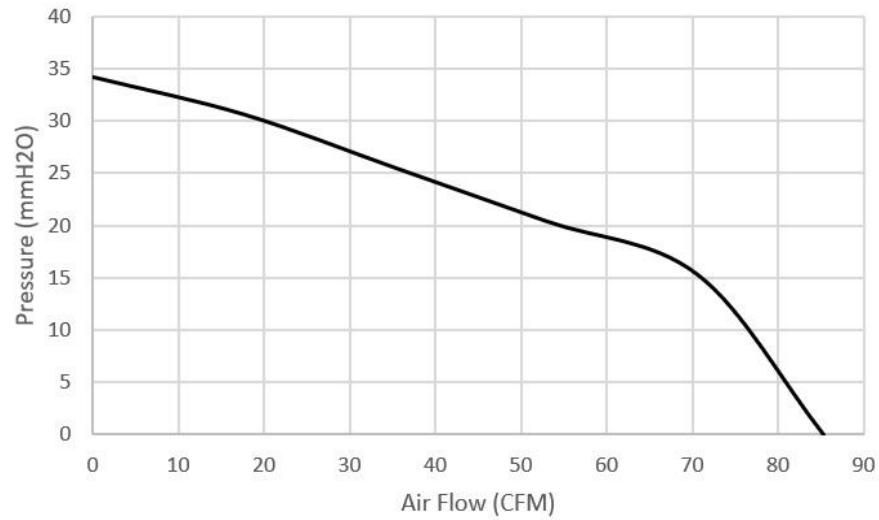
- Dimension:
Unit: mm



DC Gas Blower

Ø120x160mm

- Performance:



EC Gas Blower

Ø118x162mm

- Housing: Die-cast Aluminum
- Impeller: Plastic
- Certification: CE, RoHS
- Additional functions are optional



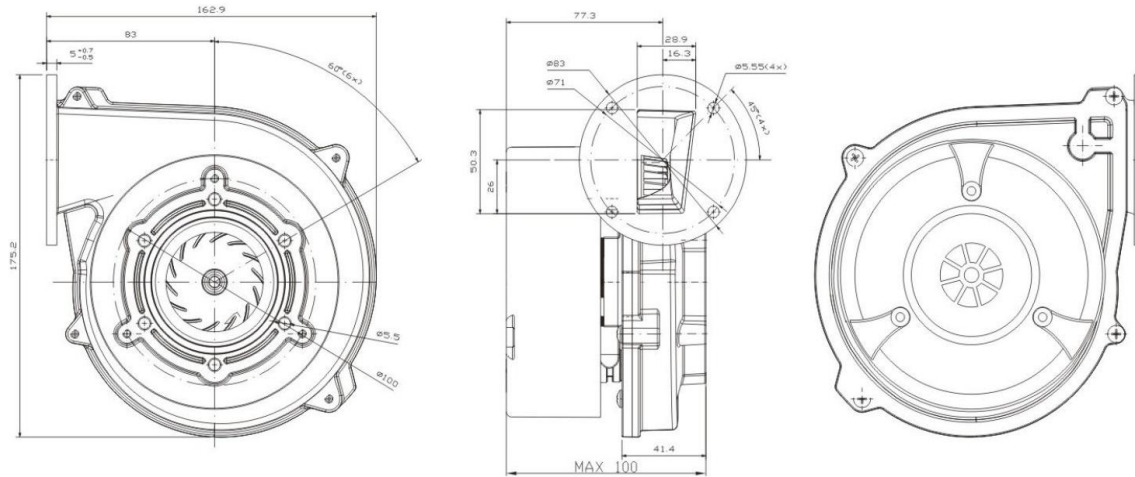
Model	Voltage	Frequency	Current	Power	Speed	Air Flow		Pressure		Noise
	VAC	Hz	Amp	Watt	RPM	CFM	m3/min	mmH2O	inH2O	dB(A)
GBE118162V2H-JP	230	50/60	0.29	67	5700	60.03	1.69	285.52	11.24	65

EC Gas Blower

Ø118x162mm

- Dimension:

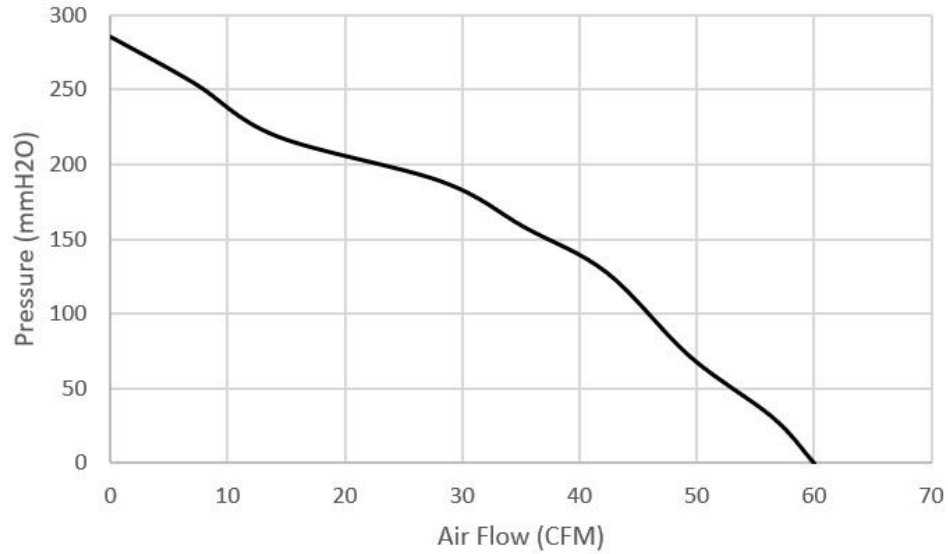
Unit: mm



EC Gas Blower

Ø118x162mm

- Performance:



EC Gas Blower

Ø130x174mm

- Housing: Die-cast Aluminum
- Impeller: Plastic
- Certification: CE, RoHS
- Additional functions are optional



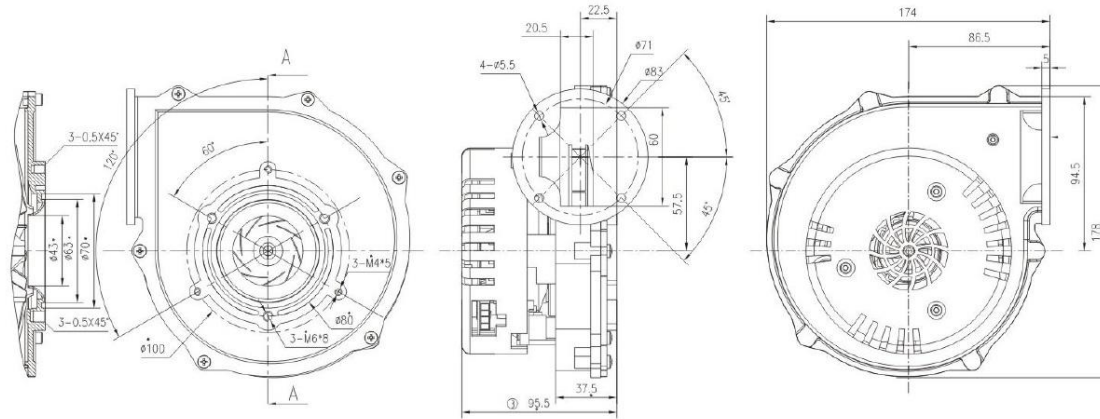
Model	Voltage	Frequency	Current	Power	Speed	Air Flow		Pressure		Noise
	VAC	Hz	Amp	Watt	RPM	CFM	m3/min	mmH2O	inH2O	dB(A)
GBE130174V2H-JP	230	50/60	0.23	54	6150	74.16	2.09	254.92	10.03	70

EC Gas Blower

Ø130x174mm

- Dimension:

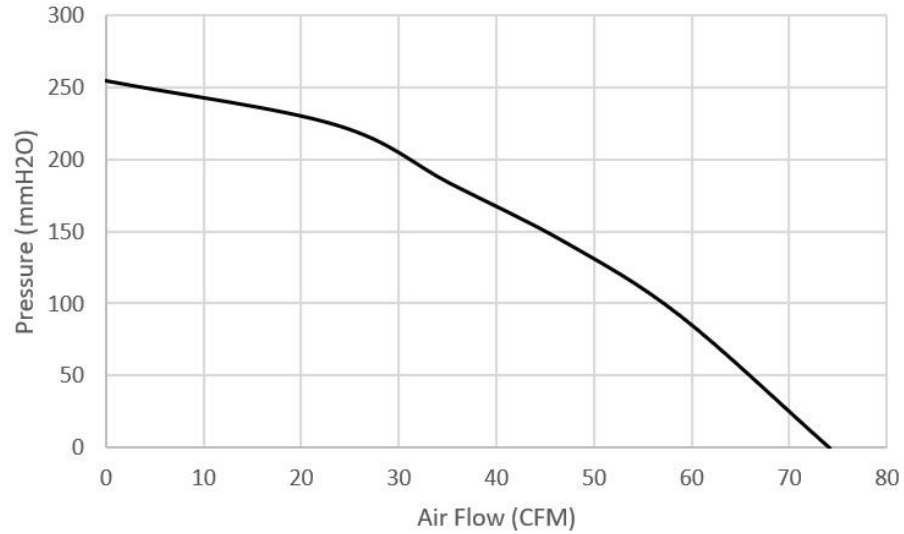
Unit: mm



EC Gas Blower

Ø130x174mm

- Performance:



EC Gas Blower

Ø148x184mm

- Housing: Die-cast Aluminum
- Impeller: Plastic
- Certification: CE, RoHS
- Additional functions are optional



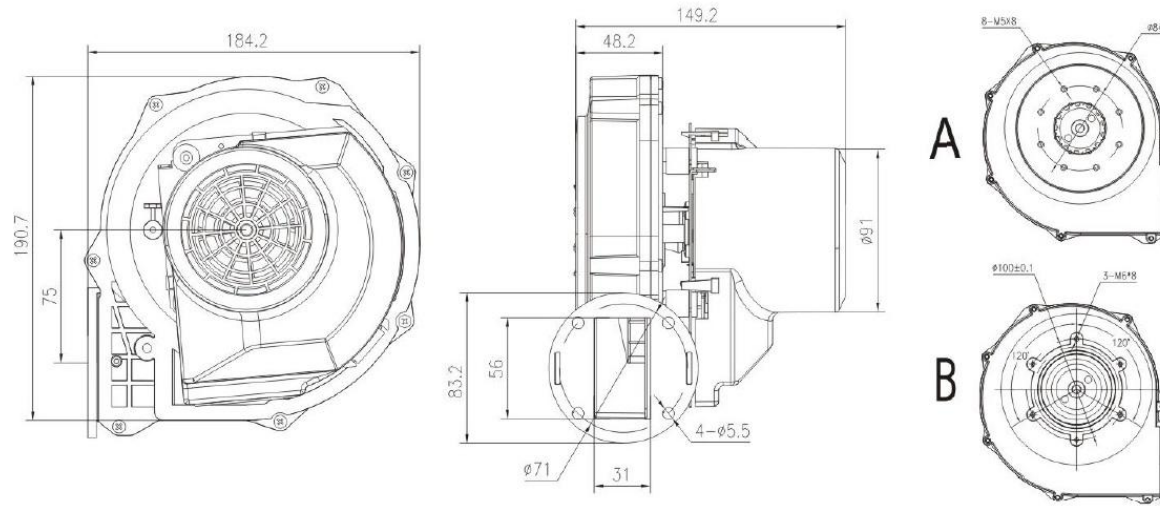
Model	Voltage	Frequency	Current	Power	Speed	Air Flow		Pressure		Noise
	VAC	Hz	Amp	Watt	RPM	CFM	m3/min	mmH2O	inH2O	dB(A)
GBE148184V2H-JP	230	50/60	0.58	135	5600	110.06	3.11	326.31	12.84	70

EC Gas Blower

Ø148x184mm

- Dimension:

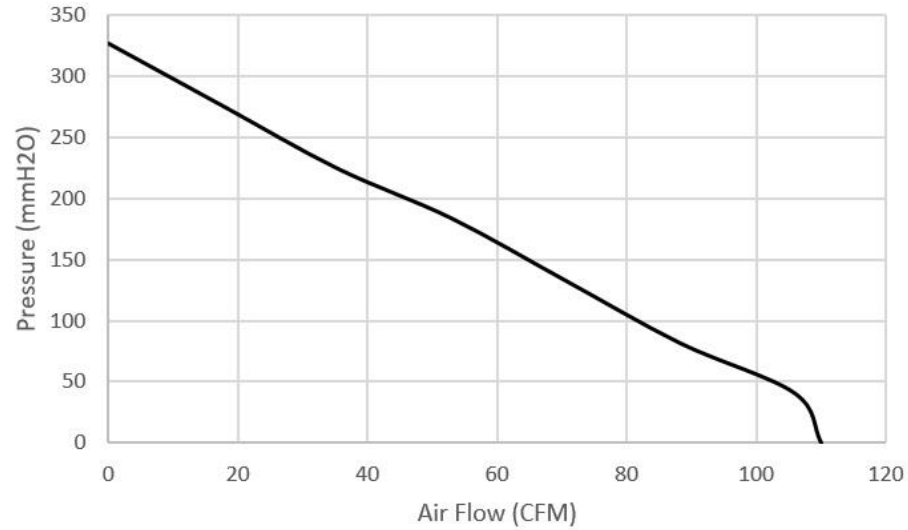
Unit: mm



EC Gas Blower

Ø148x184mm

- Performance:



EC Gas Blower

Ø150x248mm

- Housing: Die-cast Aluminum
- Impeller: Plastic
- Certification: CE, RoHS
- Additional functions are optional



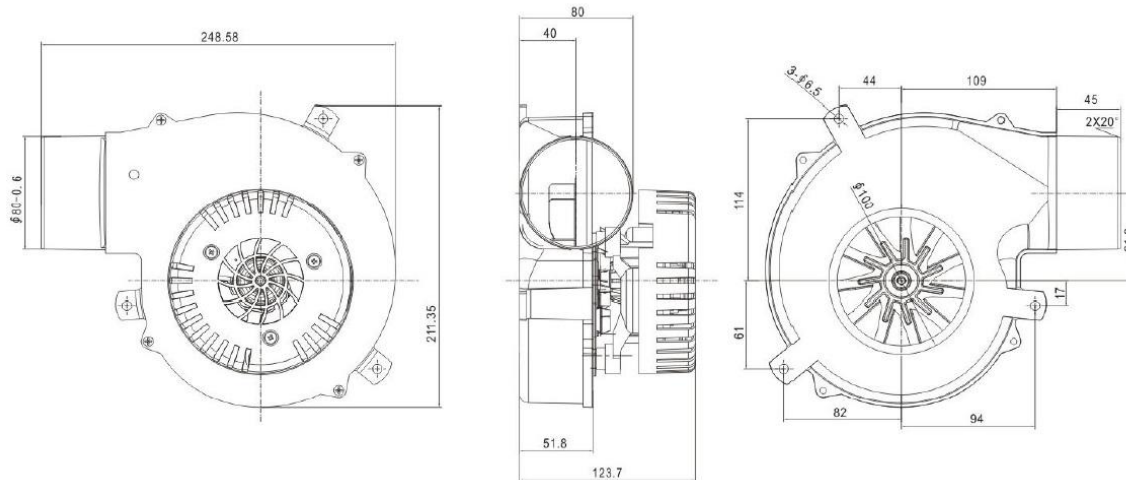
Model	Voltage	Frequency	Current	Power	Speed	Air Flow		Pressure		Noise
	VAC	Hz	Amp	Watt	RPM	CFM	m3/min	mmH2O	inH2O	dB(A)
GBE150248V2M-JP	230	50/60	0.17	41	3050	95.34	2.7	56.08	2.2	71

EC Gas Blower

Ø150x248mm

- Dimension:

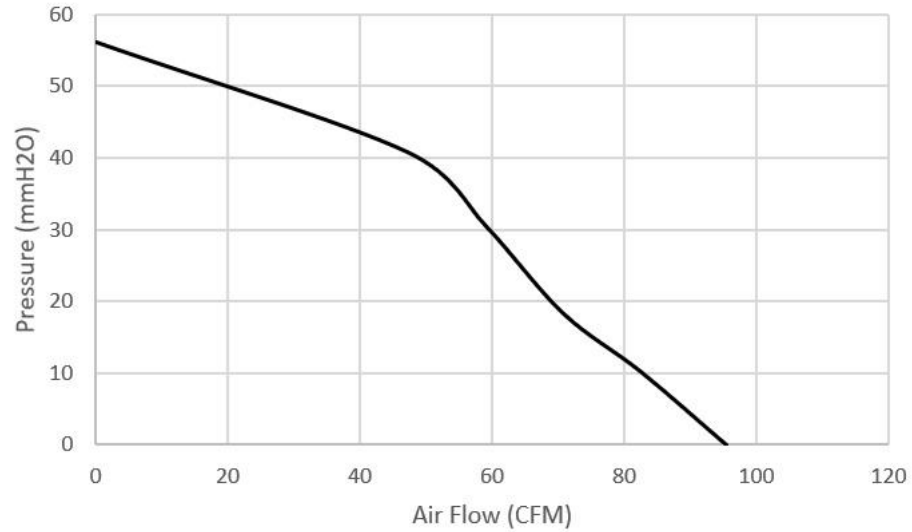
Unit: mm



EC Gas Blower

Ø150x248mm

- Performance:



EC Gas Blower

Ø97x191mm

- Housing: Die-cast Aluminum
- Impeller: Plastic
- Certification: CE, RoHS
- Additional functions are optional



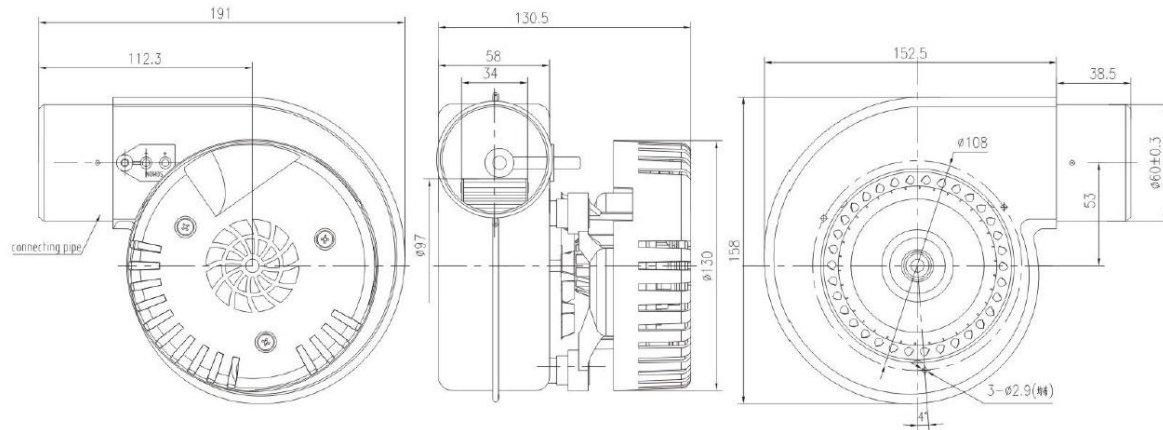
Model	Voltage	Frequency	Current	Power	Speed	Air Flow		Pressure		Noise
	VAC	Hz	Amp	Watt	RPM	CFM	m3/min	mmH2O	inH2O	dB(A)
GBE97191V2M-JP	230	50/60	0.086	20	2500	69.45	1.96	25.49	1	69

EC Gas Blower

Ø97x191mm

- Dimension:

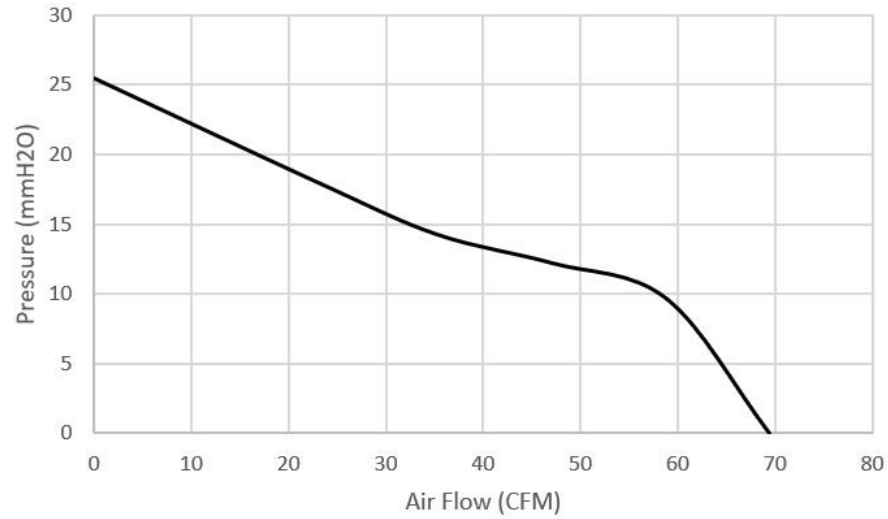
Unit: mm



EC Gas Blower

Ø97x191mm

- Performance:



EC Gas Blower

Ø97x162mm

- Housing: Die-cast Aluminum
- Impeller: Plastic
- Certification: CE, RoHS
- Additional functions are optional



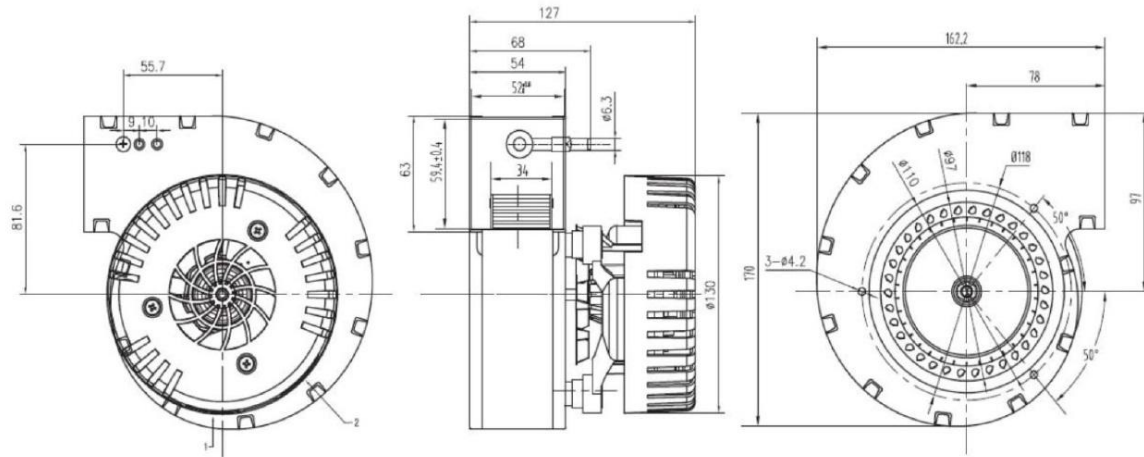
Model	Voltage	Frequency	Current	Power	Speed	Air Flow		Pressure		Noise
	VAC	Hz	Amp	Watt	RPM	CFM	m3/min	mmH2O	inH2O	dB(A)
GBE97162V2M-JP	230	50/60	0.29	68	4800	123.6	3.49	69.34	2.72	72

EC Gas Blower

Ø97x162mm

- Dimension:

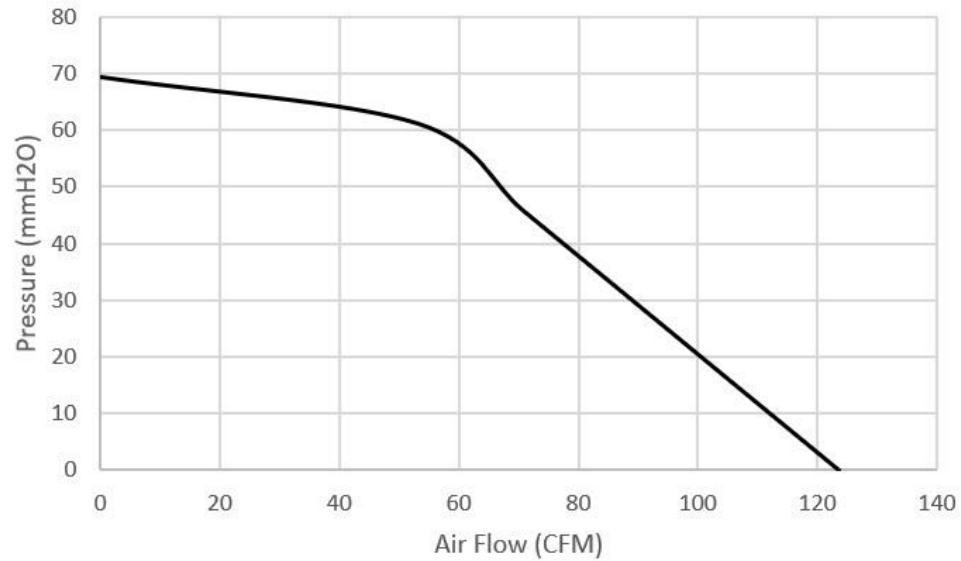
Unit: mm



EC Gas Blower

Ø97x162mm

- Performance:



EC Gas Blower

Ø120x160mm

- Housing: Die-cast Aluminum
- Impeller: Plastic
- Certification: CE, RoHS
- Additional functions are optional



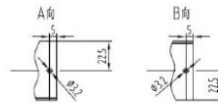
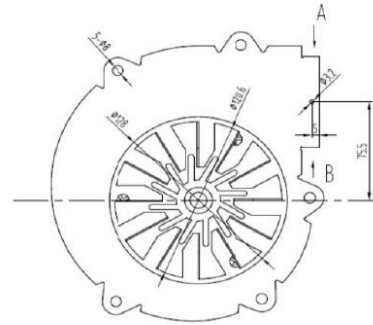
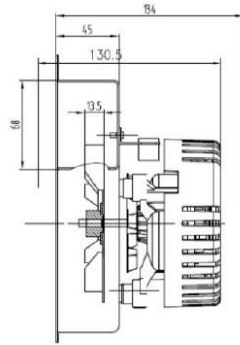
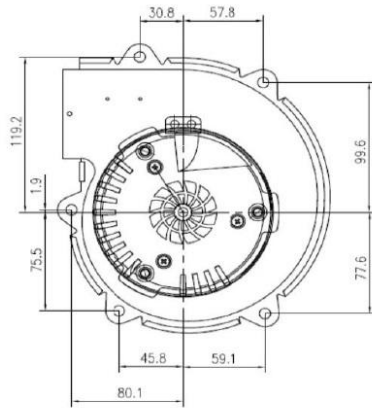
Model	Voltage	Frequency	Current	Power	Speed	Air Flow		Pressure		Noise
	VAC	Hz	Amp	Watt	RPM	CFM	m3/min	mmH2O	inH2O	dB(A)
GBE120160V2M-JP	230	50/60	0.13	32	3630	85.34	2.41	34.16	1.34	70

EC Gas Blower

Ø120x160mm

- Dimension:

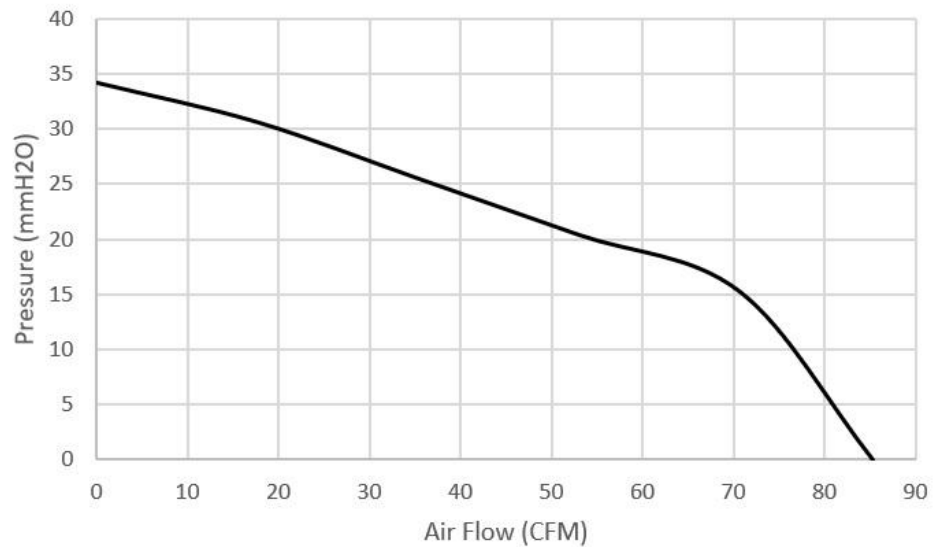
Unit: mm



EC Gas Blower

Ø120x160mm

- Performance:



The logo for Cainton, featuring the word "CAINTON" in a bold, blue, sans-serif font. The letter "O" is replaced by a stylized gear or sunburst icon with eight segments.

Change is a perpetual motion

Phone: +886-7-215-0001

Mobile: +886-938-016696

E-mail: service@cainton.com

Address: 9F.-1, No. 171,
Bizhong St., Yancheng Dist.,
Kaohsiung City 803002, Taiwan (R.O.C.)

www.cainton.com