



CAINTON

Change is a perpetual motion

AC/DC/EC Duct Fan

- Code Rule - p.1
- EC Duct Fan - pp. 2 - 19
- AC Duct Fan - pp. 20 - 37
- DC Duct Fan - pp. 38 - 43

Code Rule

Fan Type	Fan imension (mm)		Voltage	Speed	Connection	Function	Mold Model	IP Level
	Diameter	Length						
DUA: AC Duct Fan			V1: 110VAC	HX: Higher than Extreme	C: Connector	N1: FG	-Mold Model	-IP Level
DUD: DC Duct Fan			V2: 220VAC	XH: Extremely High		N2: RD		
DUE: EC Duct Fan			V3: 380VAC	HH: Much Higher		N3: PWM		
			V12: 12VDC	HR: Higher		N4: Voltage Control		
			V24: 24VDC	H: High		N5: FG+PWM		
			V48: 48VDC	M: Medium		N6: RD+PWM		
			FV: Full Voltage	L: Low		N7: FG+VC		
				LR: Lower		N8: RD+VC		
				LW: Much Lower				
				XL: Extremely Low				
				LX: Lower than Extreme				

EC Energy-Efficient Inline Duct Fan

Ø100x304mm

- Silent, Low Power Consumption & Strong Performance
- High Speed External Rotor Motor
- Protection: IP44
- Speed Control Function
- Certification: CE, RoHS
- Additional functions are optional



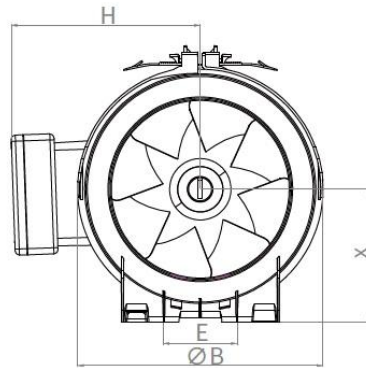
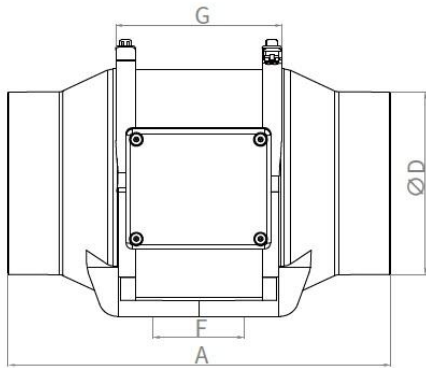
Model	Input Voltage	Signal Voltage	Frequency	Current	Power	Speed	Air Flow	Pressure	Noise
	VAC	VDC	Hz	Amp	Watt	RPM	CFM	mmH2O	dB(A)
DUE100304FV-RV	110-230	10	50/60	0.19	24	2600	174.8	23.55	36
		8		0.16	19	2350	158.32	19.27	35
		6		0.08	9	1800	120.65	11.21	29
		4		0.04	3	1200	80.63	4.99	22

EC Energy-Efficient Inline Duct Fan

Ø100x304mm

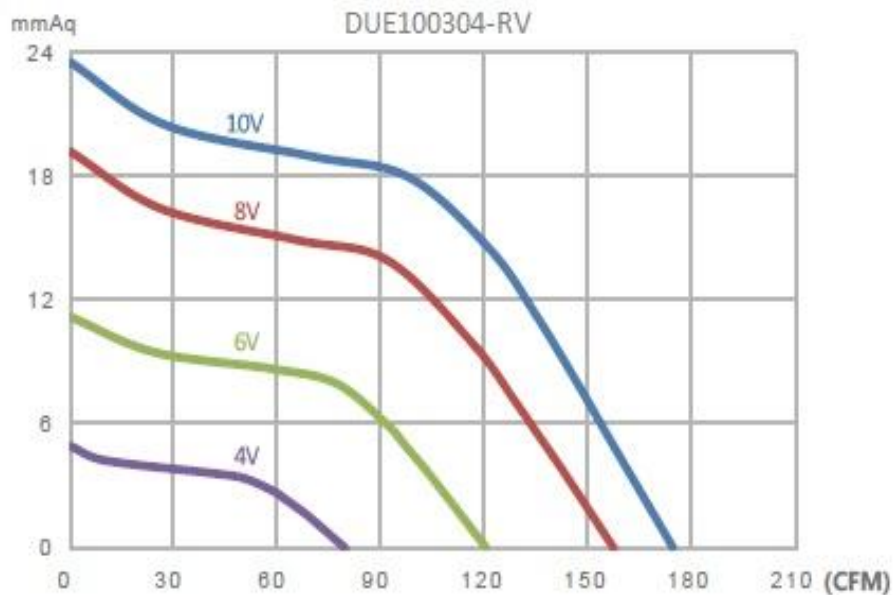
- Dimension:
Unit: mm

Model	A	ØB	ØD	E	F	G	X	H
DUE100304-R V	304	178.5	98	60	80	123	101	141



EC Energy-Efficient Inline Duct Fan Ø100x304mm

- Performance:



EC Energy-Efficient Inline Duct Fan

Ø150x313mm

- Silent, Low Power Consumption & Strong Performance
- High Speed External Rotor Motor
- Protection: IP44
- Speed Control Function
- Certification: CE, RoHS
- Additional functions are optional



Model	Input Voltage	Signal Voltage	Frequency	Current	Power	Speed	Air Flow	Pressure	Noise
	VAC	VDC	Hz	Amp	Watt	RPM	CFM	mmH2O	dB(A)
DUE150313FV-RV	110-230	10	50/60	0.44	65	3000	406.11	45.98	51
		8		0.35	49	2730	340.19	38.23	48
		6		0.24	33	2380	296.05	31.71	43
		4		0.15	18	1900	240.13	24.57	32

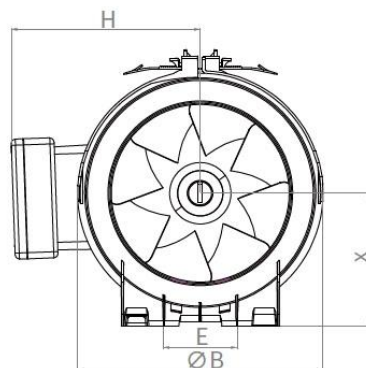
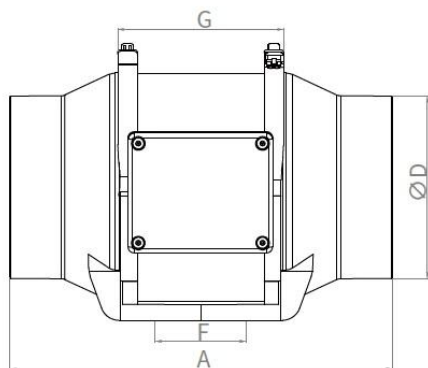
EC Energy-Efficient Inline Duct Fan

Ø150x313mm

- Dimension:

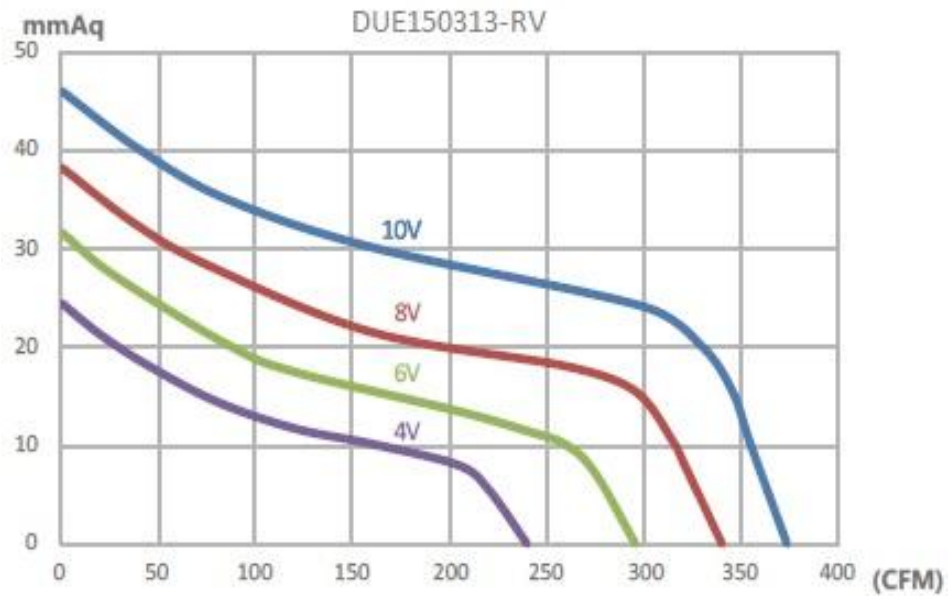
Unit: mm

Model	A	ØB	ØD	E	F	G	X	H
DUE150313-RV	313	200	149	60.5	74	140	108.5	154



EC Energy-Efficient Inline Duct Fan Ø150x313mm

- Performance:



EC Energy-Efficient Inline Duct Fan

Ø200x350mm

- Silent, Low Power Consumption & Strong Performance
- High Speed External Rotor Motor
- Protection: IP44
- Speed Control Function
- Certification: CE, RoHS
- Additional functions are optional



Model	Input Voltage	Signal Voltage	Frequency	Current	Power	Speed	Air Flow	Pressure	Noise
	VAC	VDC	Hz	Amp	Watt	RPM	CFM	mmH2O	dB(A)
DUE200350FV-R V	110-230	10	50/60	1.25	165	3000	706.29	341.37	68
		8		0.57	72	2250	517.94	253.08	61
		6		0.21	23	1500	400.23	147.14	53
		4		0.06	5	650	226.6	70.62	31

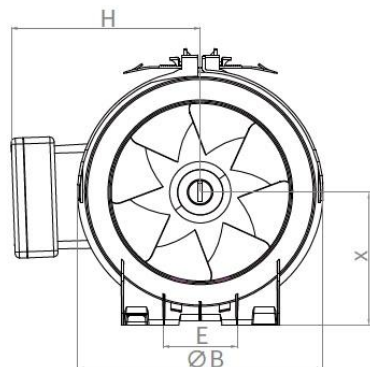
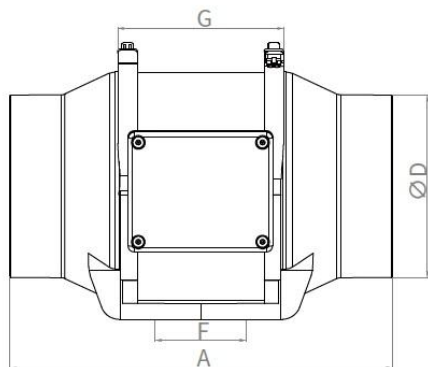
EC Energy-Efficient Inline Duct Fan

Ø200x350mm

- Dimension:

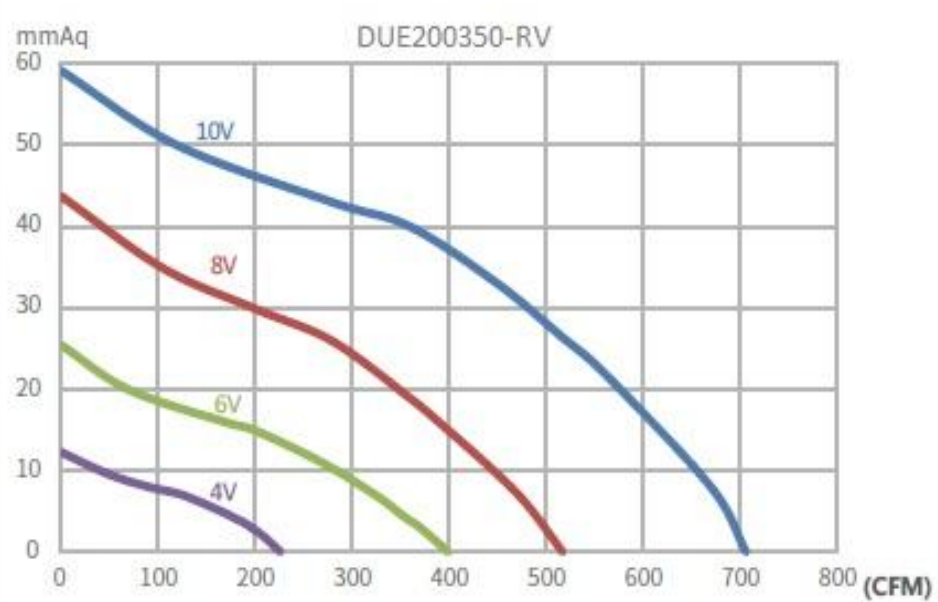
Unit: mm

Model	A	ØB	ØD	E	F	G	X	H
DUE200350-R V	350	220	198	60.5	74	168	127.5	163



EC Energy-Efficient Inline Duct Fan Ø200x350mm

- Performance:



EC Silent Mixed Flow Inline Duct Fan

Ø100x460mm

- Extremely Silent, Energy-Saving & Long Operation
- High Speed External Rotor Motor
- Protection: IP44
- Speed Control Function
- Certification: CE, RoHS
- Additional functions are optional



Model	Input Voltage	Signal Voltage	Frequency	Current	Power	Speed	Air Flow	Pressure	Noise
	VAC	VDC	Hz	Amp	Watt	RPM	CFM	mmH2O	dB(A)
DUE100460FV-R V	110-230	10	50/60	0.19	24	2600	174.8	23.55	27
		8		0.16	19	2350	158.32	19.27	24
		6		0.08	9	1800	120.65	11.21	23
		4		0.04	3	1200	80.63	4.99	20

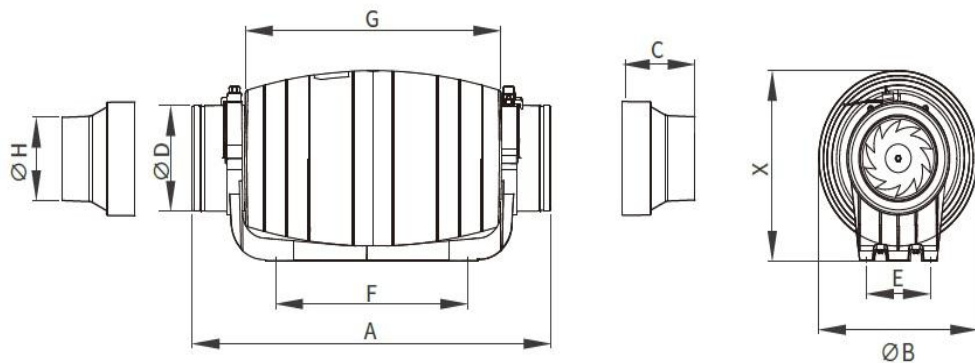
EC Silent Mixed Flow Inline Duct Fan

Ø100x460mm

- Dimension:

Unit: mm

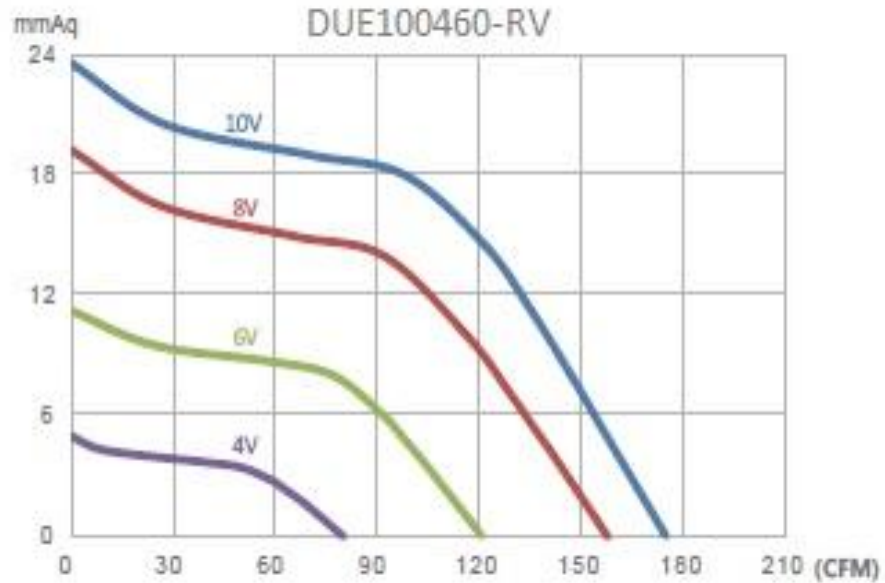
Model	A	ØB	ØD	E	F	G	X	C	ØH
DUE100460FV-RV	460	Ø204.5	Ø123.5	81.5	248.5	333	222	93.5	Ø98.5



EC Silent Mixed Flow Inline Duct Fan

Ø100x460mm

- Performance:



EC Silent Mixed Flow Inline Duct Fan

Ø150x485mm

- Extremely Silent, Energy-Saving & Long Operation
- High Speed External Rotor Motor
- Protection: IP44
- Speed Control Function
- Certification: CE, RoHS
- Additional functions are optional



Model	Input Voltage	Signal Voltage	Frequency	Current	Power	Speed	Air Flow	Pressure	Noise
	VAC	VDC	Hz	Amp	Watt	RPM	CFM	mmH2O	dB(A)
DUE150485FV-RV	110-230	10	50/60	0.44	65	3000	406.11	45.98	37
		8		0.35	49	2730	340.19	38.23	33
		6		0.24	33	2380	296.05	31.71	30
		4		0.15	18	1900	240.13	24.57	28

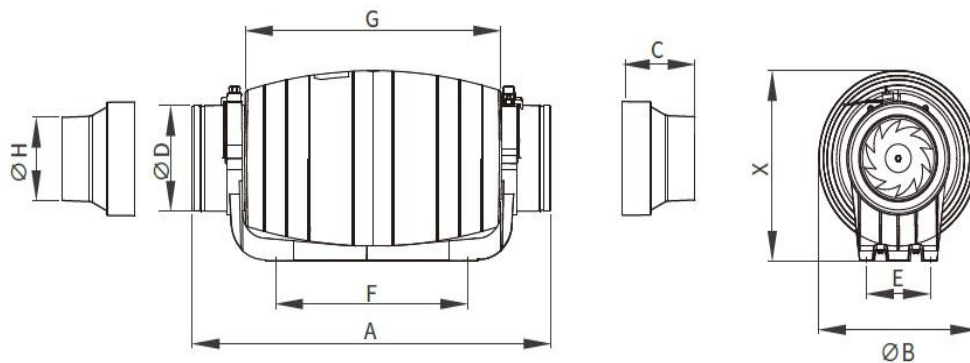
EC Silent Mixed Flow Inline Duct Fan

Ø150x485mm

- Dimension:

Unit: mm

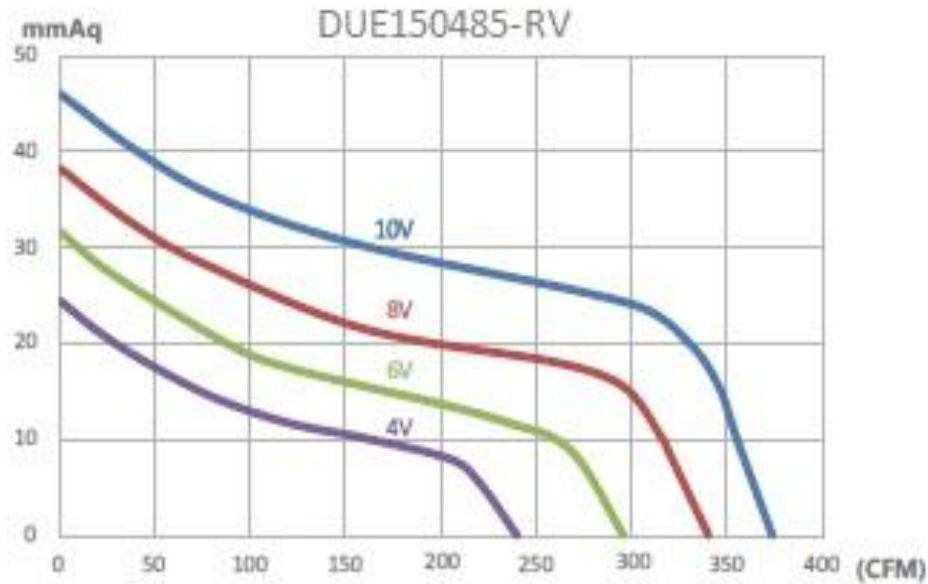
Model	A	ØB	ØD	E	F	G	X
DUE150485FV-RV	485	Ø223	Ø148.5	94	251	355	246.5



EC Silent Mixed Flow Inline Duct Fan

Ø150x485mm

- Performance:



EC Silent Mixed Flow Inline Duct Fan

Ø200x570mm

- Extremely Silent, Energy-Saving & Long Operation
- High Speed External Rotor Motor
- Protection: IP44
- Speed Control Function
- Certification: CE, RoHS
- Additional functions are optional



Model	Input Voltage	Signal Voltage	Frequency	Current	Power	Speed	Air Flow	Pressure	Noise
	VAC	VDC	Hz	Amp	Watt	RPM	CFM	mmH2O	dB(A)
DUE200570FV-R V	110-230	10	50/60	1.25	165	3000	706.29	59.14	43
		8		0.57	72	2250	517.94	43.84	36
		6		0.21	23	1500	400.23	25.49	33
		4		0.06	5	650	226.6	12.23	27

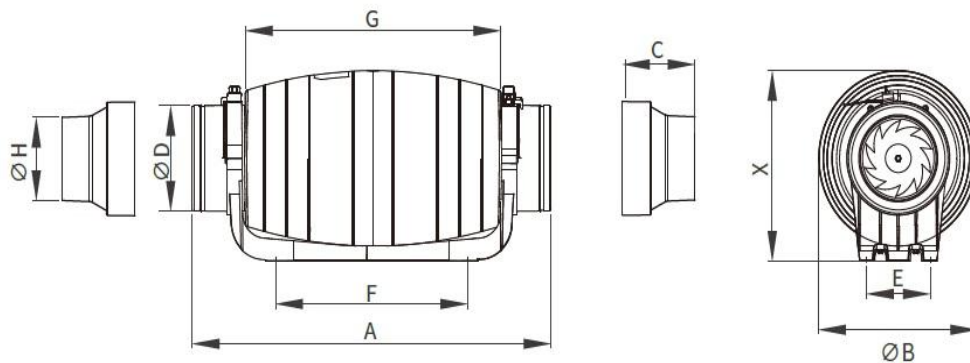
EC Silent Mixed Flow Inline Duct Fan

Ø200x570mm

- Dimension:

Unit: mm

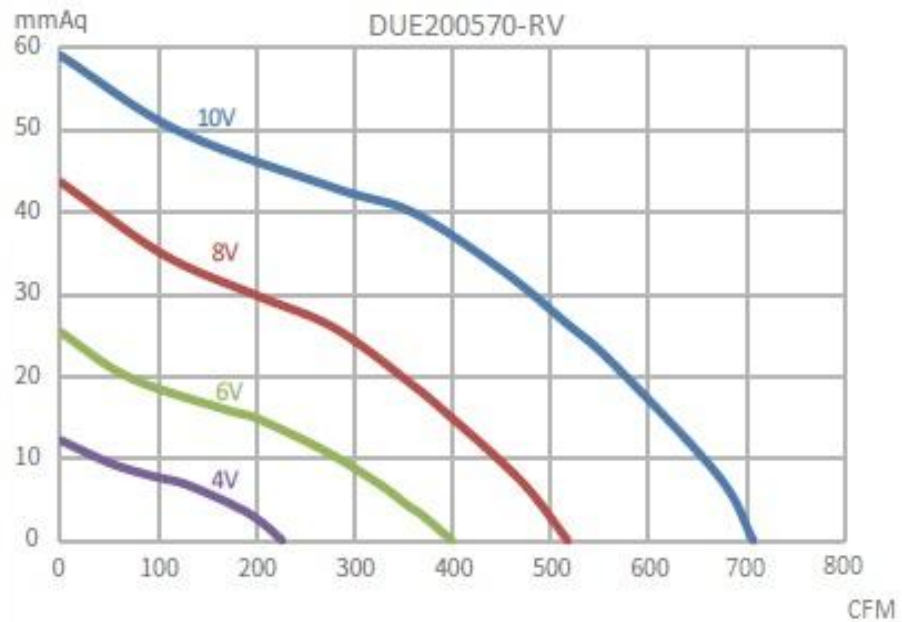
Model	A	ØB	ØD	E	F	G	X
DUE200570FV-R V	570	Ø265	Ø198	127	340	440	297



EC Silent Mixed Flow Inline Duct Fan

Ø200x570mm

- Performance:



AC Mixed Flow Inline Duct Fan

Ø100x304mm

- Silent & Strong Performance
- High Speed External Rotor Motor
- Protection: IP44
- Certification: CE, RoHS
- Additional functions are optional



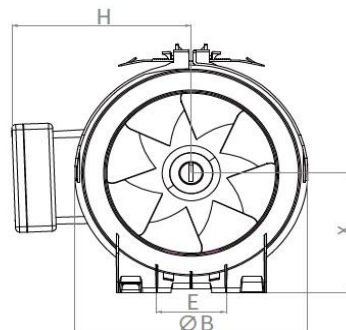
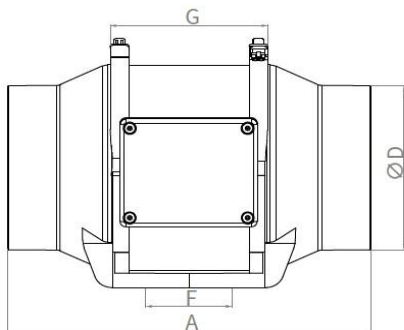
Model	Speed	Input Voltage	Frequency	Current	Power	Speed	Air Flow	Pressure	Noise
		VAC	Hz	Amp	Watt	RPM	CFM	mmH2O	dB(A)
DUA100304V1-RV	H	110	60	0.295	34	2450	164.8	20.9	31
	M	110	60	0.275	32	2050	138.31	14.68	28
	L	110	60	0.265	29	1650	110.65	9.48	26
DUA100304V2-RV	H	220	50	0.13	30	2450	164.8	20.9	31
	M	220	50	0.125	27	2050	138.31	14.68	28
	L	220	50	0.12	25	1650	110.65	9.48	26

AC Mixed Flow Inline Duct Fan

Ø100x304mm

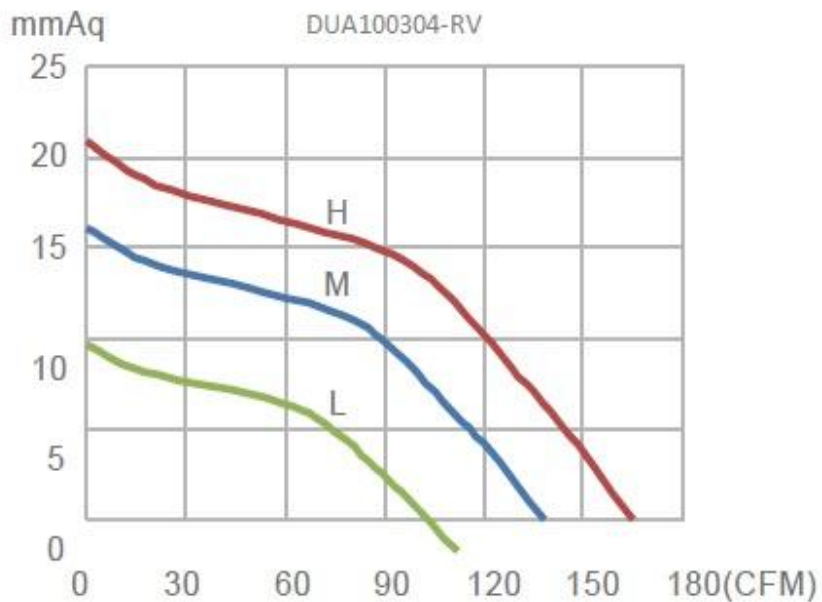
- Dimension:
Unit: mm

Model	A	ØB	ØD	E	F	G	X	H
DUA100304-RV	304	178.5	98	60	80	123	101	128.5



AC Mixed Flow Inline Duct Fan Ø100x304mm

- Performance:



AC Mixed Flow Inline Duct Fan

Ø150x313mm

- Silent & Strong Performance
- High Speed External Rotor Motor
- Protection: IP44
- Certification: CE, RoHS
- Additional functions are optional



Model	Speed	Input Voltage	Frequency	Current	Power	Speed	Air Flow	Pressure	Noise
		VAC	Hz	Amp	Watt	RPM	CFM	mmH2O	dB(A)
DUA150313V1-RV	H	110	60	0.59	70	2600	323.71	34.67	33
	M	110	60	0.55	65	2050	258.97	26.51	31
	L	110	60	0.5	60	1650	200.11	23.45	29
DUA150313V2-RV	H	220	50	0.28	51	2600	323.71	34.67	33
	M	220	50	0.2	46	2050	258.97	26.51	31
	L	220	50	0.19	42	1650	200.11	23.45	29

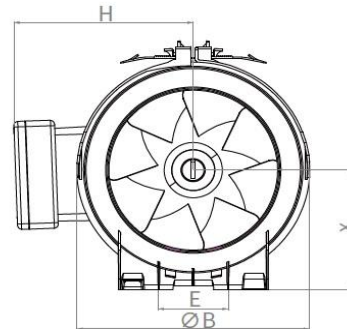
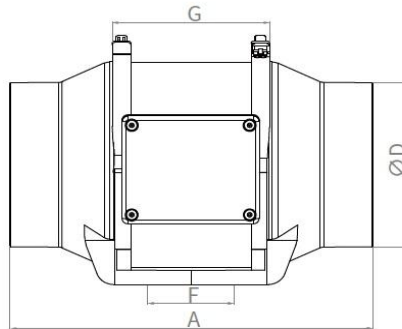
AC Mixed Flow Inline Duct Fan

Ø150x313mm

- Dimension:

Unit: mm

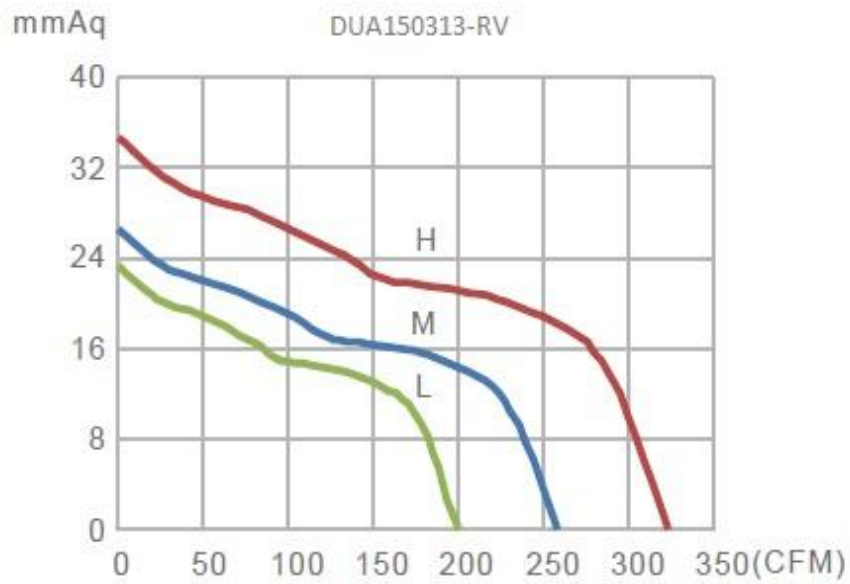
Model	A	ØB	ØD	E	F	G	X	H
DUA150313-RV	313	200	149	60.5	74	130	108.5	138.5



AC Mixed Flow Inline Duct Fan

Ø150x313mm

- Performance:



AC Mixed Flow Inline Duct Fan

Ø200x350mm

- Silent & Strong Performance
- High Speed External Rotor Motor
- Protection: IP44
- Certification: CE, RoHS
- Additional functions are optional



Model	Speed	Input Voltage	Frequency	Current	Power	Speed	Air Flow	Pressure	Noise
		VAC	Hz	Amp	Watt	RPM	CFM	mmH2O	dB(A)
DUA200350V1-RV	H	110	60	1.45	160	2450	500.29	37.72	58
	M	110	60	1.35	159	2050	417.89	26.41	55
	L	110	60	1.2	135	1650	336.66	17.02	52
DUA200350V2-R V	H	220	50	0.59	131	2450	500.29	37.72	58
	M	220	50	0.495	114	2050	417.89	26.41	55
	L	220	50	0.44	101	1650	336.66	17.02	52

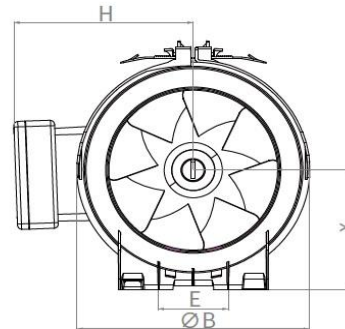
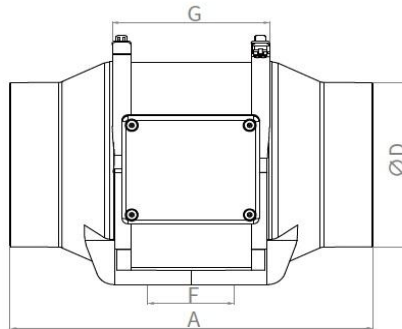
AC Mixed Flow Inline Duct Fan

Ø200x350mm

- Dimension:

Unit: mm

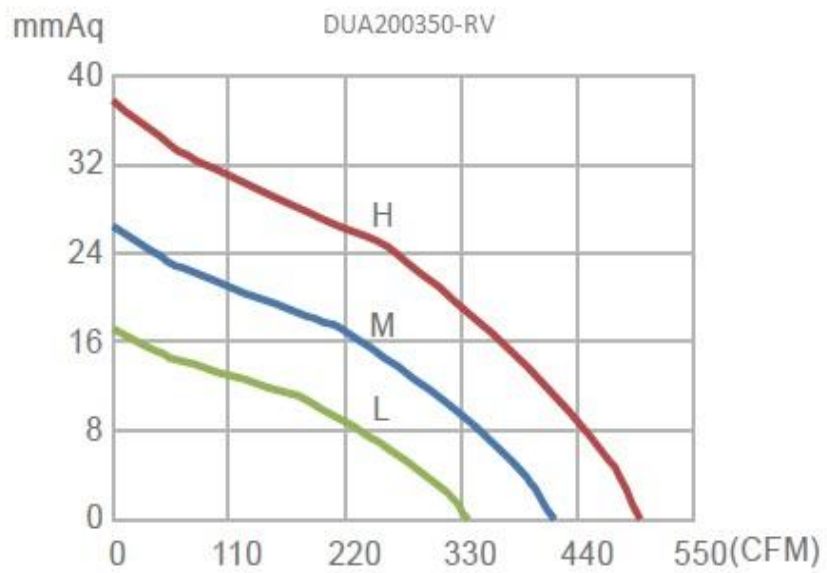
Model	A	ØB	ØD	E	F	G	X	H
DUA200350-RV	350	220	198	74	60	165	127.5	149.5



AC Mixed Flow Inline Duct Fan

Ø200x350mm

- Performance:



AC Silent Mixed Flow Inline Duct Fan

Ø100x460mm

- Extremely Silent & Energy-Efficient
- High Speed External Rotor Motor
- Protection: IP44
- Certification: CE, RoHS
- Additional functions are optional



Model	Speed	Input Voltage	Frequency	Current	Power	Speed	Air Flow	Pressure	Noise
		VAC	Hz	Amp	Watt	RPM	CFM	mmH2O	dB(A)
DFA100460V1-RV	H	110	60	0.295	34	2450	164.8	20.9	25
	M	110	60	0.275	32	2050	138.31	14.68	23
	L	110	60	0.265	29	1650	110.65	9.48	22
DFA100460V2-RV	H	220	50	0.13	30	2450	164.8	20.9	25
	M	220	50	0.125	27	2050	138.31	14.68	23
	L	220	50	0.12	25	1650	110.65	9.48	22

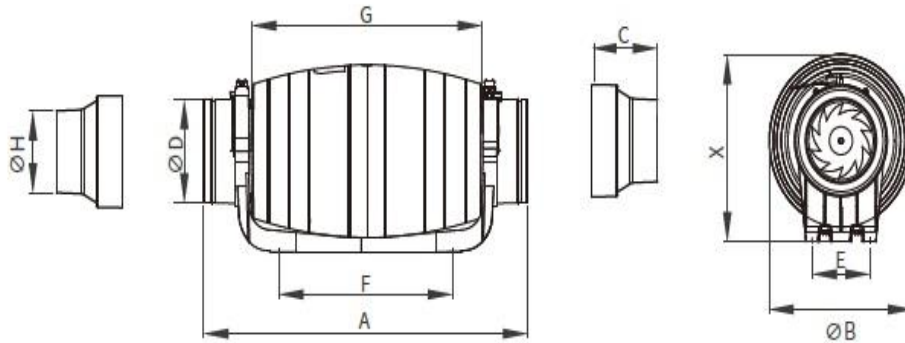
AC Silent Mixed Flow Inline Duct Fan

Ø100x460mm

- Dimension:

Unit: mm

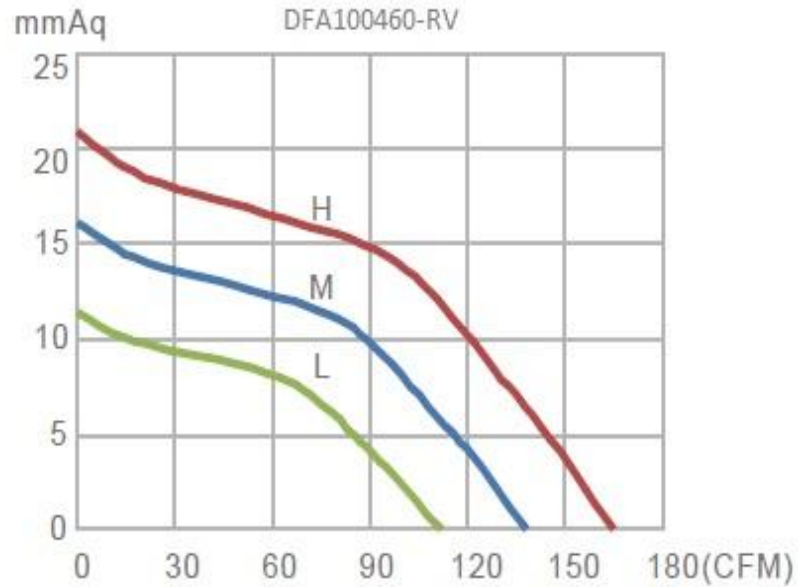
Model	A	ØB	ØD	E	F	G	X	C	ØH
DFA100460-RV	460	204.5	123.5	81.5	248.5	333	222	93.5	98.5



AC Silent Mixed Flow Inline Duct Fan

Ø100x460mm

- Performance:



AC Silent Mixed Flow Inline Duct Fan

Ø150x485mm

- Extremely Silent & Energy-Efficient
- High Speed External Rotor Motor
- Protection: IP44
- Certification: CE, RoHS
- Additional functions are optional



Model	Speed	Input Voltage	Frequency	Current	Power	Speed	Air Flow	Pressure	Noise
		VAC	Hz	Amp	Watt	RPM	CFM	mmH2O	dB(A)
DFA150485V1-RV	H	110	60	0.59	70	2450	323.71	34.67	30
	M	110	60	0.55	65	2050	258.97	26.51	28
	L	110	60	0.5	60	1650	200.11	23.45	25
DFA150485V2-RV	H	220	50	0.28	51	2450	323.71	34.67	30
	M	220	50	0.2	46	2050	258.97	26.51	28
	L	220	50	0.19	42	1650	200.11	23.45	25

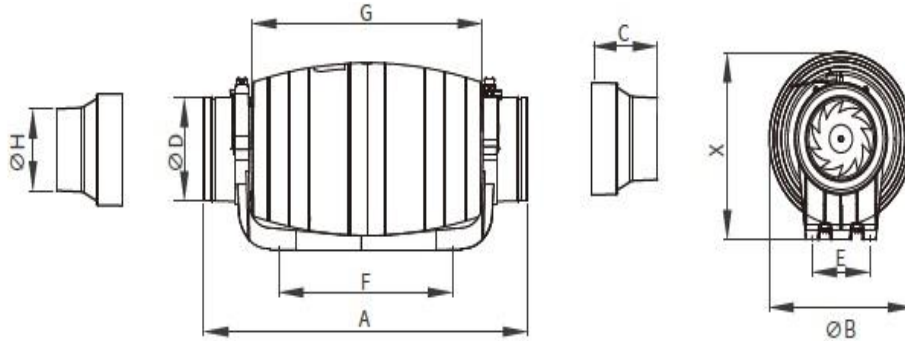
AC Silent Mixed Flow Inline Duct Fan

Ø150x485mm

- Dimension:

Unit: mm

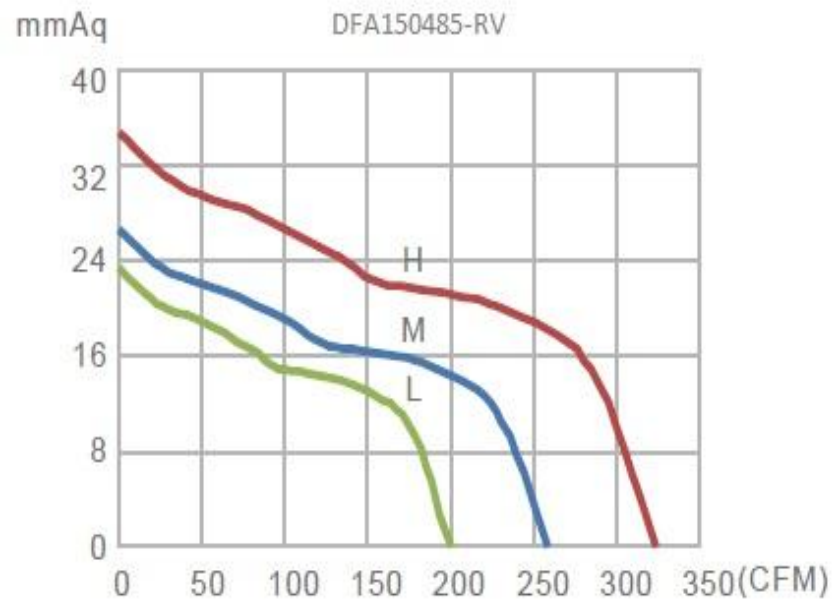
Model	A	ØB	ØD	E	F	G	X
DFA150485-RV	485	223	148.5	94	251	355	246.5



AC Silent Mixed Flow Inline Duct Fan

Ø150x485mm

- Performance:



AC Silent Mixed Flow Inline Duct Fan

Ø200x570mm

- Extremely Silent & Energy-Efficient
- High Speed External Rotor Motor
- Protection: IP44
- Certification: CE, RoHS
- Additional functions are optional



Model	Speed	Input Voltage	Frequency	Current		Power	Speed	Air Flow	Pressure	Noise
		VAC	Hz	Amp		Watt	RPM	CFM	mmH2O	dB(A)
DFA200570V1-R V	H	110	60	1.45	160	2450	500.29	37.72	35	4.9
	M	110	60	1.35	159	2050	417.89	26.41	32	4.9
	L	110	60	1.2	135	1650	336.66	17.02	29	4.9
DFA200570V2- RV	H	220	50	0.59	131	2450	500.29	37.72	35	4.9
	M	220	50	0.495	114	2050	417.89	26.41	32	4.9
	L	220	50	0.44	101	1650	336.66	17.02	29	4.9

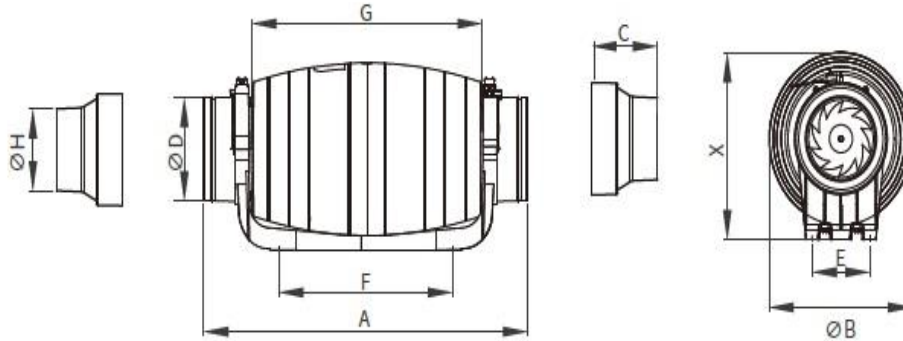
AC Silent Mixed Flow Inline Duct Fan

Ø200x570mm

- Dimension:

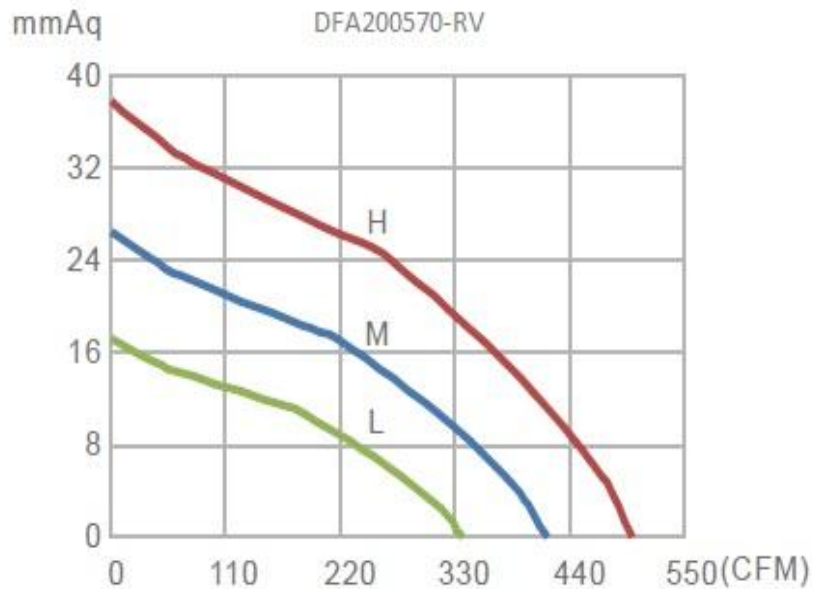
Unit: mm

Model	A	ØB	ØD	E	F	G	X
DFA200570-RV	570	265	198	127	340	440	297



AC Silent Mixed Flow Inline Duct Fan Ø200x570mm

- Performance:



DC Inline Duct Fan

Ø100x304mm

- High Efficiency & Low Power Consumption
- High Speed External Rotor Motor
- Protection: IP44
- Certification: CE, RoHS
- Additional functions are optional



Model	Input Voltage	Signal Output	Current	Power	Speed	Air Flow	Pressure	Noise
	VDC	VDC	Amp	Watt	RPM	CFM	mmH2O	dB(A)
DFD100304V12-RV	12	10	1.7	20	2600	174.8	23.45	39
		8	1.2	14	2350	132.42	13.35	37
		6	0.6	7	1800	120.65	11.21	31
		4	0.2	2	1200	80.04	4.89	26

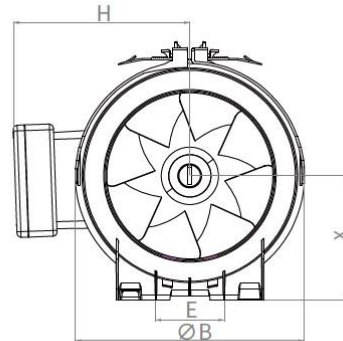
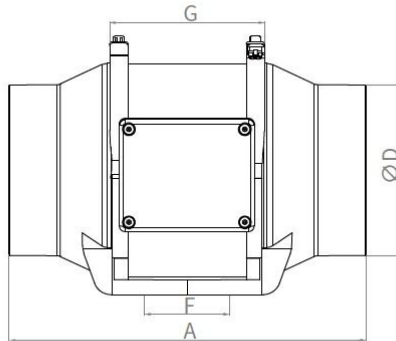
DC Inline Duct Fan

Ø100x304mm

- Dimension:

Unit: mm

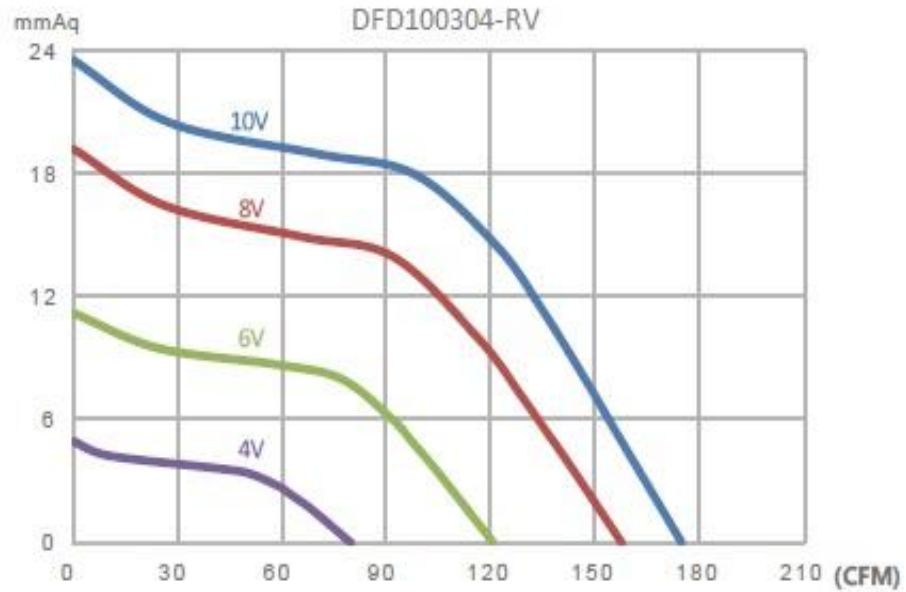
Model	A	ØB	ØD	E	F	G	X	H
DFD100304-RV	304	178.5	98	60	80	123	101	141



DC Inline Duct Fan

Ø100x304mm

- Performance:



DC Inline Duct Fan

Ø150x313mm

- High Efficiency & Low Power Consumption
- High Speed External Rotor Motor
- Protection: IP44
- Certification: CE, RoHS
- Additional functions are optional



Model	Input Voltage	Signal Output	Current	Power	Speed	Air Flow	Pressure	Noise
	VDC	VDC	Amp	Watt	RPM	CFM	mmH2O	dB(A)
DFD150313V24-RV	24	10	2	48	2800	348.43	39.87	48
		8	1.6	38	2640	328.42	35.48	46
		6	1	24	2250	283.69	31.71	42
		4	0.6	14	1780	215.41	27.02	35

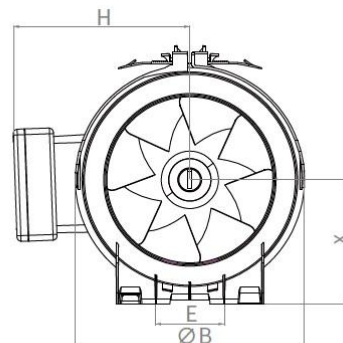
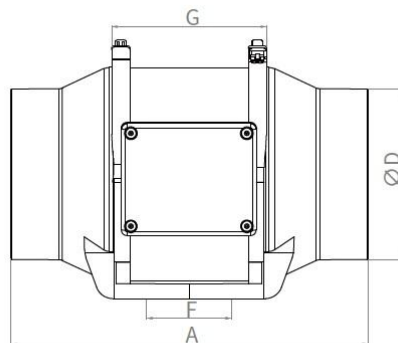
DC Inline Duct Fan

Ø150x313mm

- Dimension:

Unit: mm

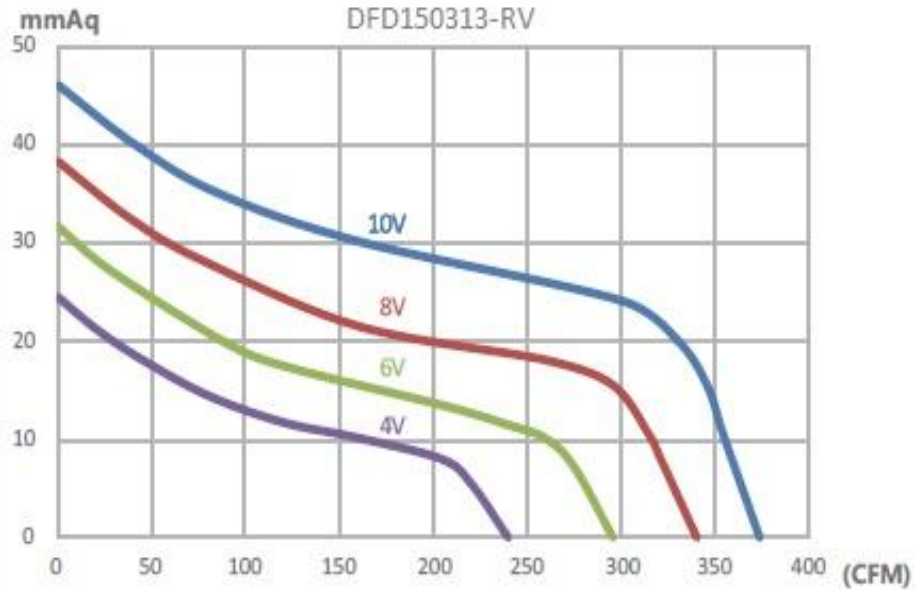
Model	A	ØB	ØD	E	F	G	X	H
DFD150313-RV	313	200	149	60.5	74	140	108.5	154



DC Inline Duct Fan

Ø150x313mm

- Performance:



The logo for Cainton, featuring the word "CAINTON" in a bold, blue, sans-serif font. The letter "O" is replaced by a stylized gear or sunburst icon with eight segments.

Change is a perpetual motion

Phone: +886-7-215-0001

Mobile: +886-938-016696

E-mail: service@cainton.com

Address: 9F.-1, No. 171,
Bizhong St., Yancheng Dist.,
Kaohsiung City 803002, Taiwan (R.O.C.)

www.cainton.com